

ECO SEAMLESS DOORS



WIŚNIOWSKI

(EU - 2/2)

Assembly and Operating Instructions



ECO DSp-1
ECO DSp-2

EN – page 2

Technical description
Assembly and Operating Instructions
ECO seamless doors / PART 2
Technical documentation - go to PART 1 (EU - 1/2)

RU – страница 15

Техническое описание
Инструкция по монтажу и эксплуатации
Стальные двери ECO / ЧАСТЬ 2
Техническая документация - смотри ЧАСТЬ 1 (EU - 1/2)

DE – Seite 6

Technische Beschreibung
Montage und Bedienungsanleitung
Stahltür ECO / TEIL 2
Technische Dokumentation - siehe TEIL 1 (EU - 1/2)

CS – strana 20

Technický popis
Návod k instalaci a obsluze
Ocelové pláštové dveře ECO / ČÁST 2
Technická dokumentace - přejděte na ČÁST 1 (EU - 1/2)

FR – page 11

Descriptif technique
Notice de Montage et de Fonctionnement
Bloc-portes ECO / PART 2
Dossier technique - voir PART 1 (EU - 1/2)



THANK YOU FOR CHOOSING THE WIŚNIOWSKI BRAND

Note that only the proper assembly, use, servicing, and maintenance ensure complete satisfaction with the product and its safe, long-lasting use.

I. GENERAL WARRANTY TERMS AND CONDITIONS

- The Warranty shall only be valid in the country of original purchase of the covered product from WIŚNIOWSKI Sp. z o.o. S.K.A. – hereinafter referred to as the Manufacturer – and shall apply to products purchased at points of sale affiliated with the Manufacturer. Manufacturer's address: "WIŚNIOWSKI" Sp. z o.o. S.K.A., 33-311 Wielogłowy 153, Poland.
- The warranty liability is accepted only for the defects caused by the original material and workmanship defects of the product if stored and kept in roofed, dry, and ventilated rooms, and installed in normal environmental conditions. This Warranty does not cover any damage caused during shipping and transport by the Ordering Party.
- The basis for valid warranty claims is the proof of purchase and a properly filled out Warranty Sheet (the Warranty Sheet form is issued by the Point of Sale).
- The warranty claim shall be submitted to the point of sale where the product was purchased.
- The warranty claim shall be submitted in writing immediately upon discovery of a defect or fault caused by such defect (no later than within 14 days of the above). Any evident defects must be reported before installing the Product. The use of defective products is prohibited, since it can result in a safety hazard to the User and unreasonably increase the repair costs. The Manufacturer shall not be liable for any damage caused by the use of defective or damaged products.
- As part of the warranty, the Manufacturer shall not be liable for any damage to any property of the User, other than the item covered by this warranty.
- The validity of any potential warranty claims concerning the supplied products may only refer to the applicable standards, the seller's documentation or other documents accepted by the BUYER and constituting attachments to the given order.

II. WARRANTY PERIOD

The Manufacturer shall grant the warranty on proper product operation for 2 years from the date of purchase, no longer, however, than 2 years and 6 months from the date of manufacture provided on the nameplate of the product, and provided that the product is installed and used as intended and in accordance with the Installation and Operating Manual.

PRODUCT WARRANTY PERIOD – ADDITIONAL PROVISIONS

- The warranty shall not cover parts subject to natural operating wear due to their specific function or material characteristics (e.g. batteries, gaskets, brush seals, etc.).
- Warranty on glass panes used in aluminium and steel joinery shall be granted for a period of 5 years and shall apply to the lightness of glazing units, loss of transparency, and maintenance of adhesion of multi-layer glass units (apart from the edge strip 100 mm from the edge of the glass and the edges of the openings). The warranty shall not cover the cracking of glass caused by external, mechanical or thermal factors.
- Differences in colour shades between products from different production lots are permitted.
- Deformation of glass which was treated by thermal tempering is permitted.
- Warranty on steel profile doors and the CREO aluminium doors with sidelights and toplights shall be granted for a period of 5 years, excluding hardware and accessories (i.e. handles, hinges, locks, lock cylinders, door deslers, anti-panic levers, etc.), which are covered by a 24-month warranty.
- Warranty on the residential DECO aluminium doors and NOVA doors with sidelights and toplights shall be granted for a period of 2 years.
- The warranty period for automatic operating units for joinery, electric actuators for windows, and electric locks shall be 12 months. The warranty period can only be extended upon conclusion of a service agreement with the original equipment manufacturer (OEM). If the warranty is granted directly by the OEM installing the equipment, the OEM shall issue a separate Warranty Sheet.
- The warranty period for the remaining, additional electrical equipment of the door shall be 24 months.
- The warranty period shall be extended by the time of repair covered by the warranty, which is from the moment of acceptance of the warranty claim by the Manufacturer until completion of the warranty repair, and provided that the repair results from a valid claim.
- The warranty on any spare parts installed after the original warranty period of the product which is outfitted with them expires, shall be 12 months from the date of purchase. Once the product has been repaired with the use of such parts, the warranty shall apply to those parts only. The ownership of parts removed for repairs is transferred to the Manufacturer or to the Authorised Service Agent.

III. CORROSION WARRANTY PERIOD:

- 10 years on aluminium joinery powder-coated with polyester paints – from the date of sale (for a period no longer, however, than 10 years and 6 months from the date of manufacture):**
The warranty period is shortened if the product is installed in aggressive environments:
 - Components installed outdoors in inland urban areas or mild coastal environments (C3* moderate corrosion hazard): 8 years.
 - Components installed indoors (swimming pools, chemical equipment) or outdoors in inland industrial areas or urban coastal environments (C4* high corrosion hazard): 5 years. The 5-year warranty on products installed in a C4* environment is granted if requested upon ordering. The warranty period shall otherwise be 2 years.
 - Components installed outdoors in industrial areas with high humidity or high chloride content (coastal) (C5-I* very high corrosion hazard): 3 years. The 3-year warranty on products installed in a C5-I* environment is granted if requested upon ordering. The warranty period shall otherwise be 18 months.
 - Components installed outdoors in seaside areas in temperate climate (C5-M* very high corrosion hazard): 12 months. Warranty on products installed in a C5-M* environment is granted if requested upon ordering. Otherwise, products installed in C5-M environments shall not be covered by the corrosion warranty.
 - Products operated within 500 m of sea coastline shall not be covered by the corrosion warranty.
- 4 years on joinery with coatings applied by DECOR thermal printing or by IFlm coating – from the date of sale (for a period no longer, however, than 4 years and 6 months from the date of manufacture)**
 - The warranty shall only cover components used in environments from C1 to C3.
 - Products operated in C4, C5-L, and C5-M environments, as well as within 500 m of sea coastline, shall not be covered by the corrosion warranty.
- 5 years on steel joinery powder-coated with polyester paints – from the date of sale (for a period no longer, however, than 5 years and 6 months from the date of manufacture).**
The warranty period is shortened if the product is installed in aggressive environments:
 - Components installed outdoors in inland urban areas or mild coastal environments (C3* moderate corrosion hazard): 4 years.
 - Components installed indoors (swimming pools, chemical equipment) or outdoors in inland industrial areas or urban coastal environments (C4* high corrosion hazard): 2 years and 6 months.
 - Products operated in C5-I and C5-M environments, as well as within 500 m of sea coastline, shall not be covered by the corrosion warranty.
- 5 years on seamless steel doors – from the date of sale (for a period no longer, however, than 5 years and 6 months from the date of manufacture).**
The warranty period is shortened if the product is installed in aggressive environments:
 - Coated and coated sheet components installed outdoors in inland urban areas or mild coastal environments (C3* moderate corrosion hazard): 4 years.
 - Galvanized sheet components, not coated, installed outdoors in inland urban areas or mild coastal environments (C3* moderate corrosion hazard) shall be excluded from warranty cover.
 - Products operated in C4, C5-L, and C5-M environments, as well as within 500 m of sea coastline, shall not be covered by the corrosion warranty.
- 4 years on NOVA doors – from the date of sale (for a period no longer, however, than 4 years and 6 months from the date of manufacture).**
The warranty period is shortened if the product is installed in aggressive environments:
 - Coated and coated sheet components installed outdoors in inland urban areas or mild coastal environments (C3* moderate corrosion hazard): 3 years.
 - Products operated in C4, C5-L, and C5-M environments, as well as within 500 m of sea coastline, shall not be covered by the corrosion warranty.
- f) Corrosion warranty on hardware and accessories, as well as electrical equipment:**
 - Products installed in C1, C2, C3 environments: 24 months.
 - Products installed in C4, C5-L and C5-M environments shall not be covered by the corrosion warranty.

IV. WARRANTY TERMS AND CONDITIONS FOR POWDER COATS, DECOR THERMAL PRINTING COATS, AND FILM COATS

- The warranty shall cover cases of paint adhesion loss, surface peeling, blistering, and chipping.
- Warranty on varnish coats shall cover cases of loss of gloss and colour change according to the values of the ΔE parameter specified in Annex no. 7 to the QUALICOAT technical guidelines available at www.qualipol.pl (the warranty period shall be 1.5 years). The warranty shall not cover coated hardware, such as: handles, pulls, cover plates, and lock cylinders.
- The loss of gloss is directly proportional to sunlight exposure, with possible spotting and discoloration (not covered by this warranty).
- Differences in the DECOR coat within the same model and the same colour shade smaller than 15% shall not be considered as a defect.
- Differences in colour shades of the DECOR structure on the lining and profiles resulting from the change of structure on the pigment film are permitted.
- Interruptions or blurs of the DECOR structure in places where the plane deflects on door lining are permitted.
- Differences in colour shades between products from different production lots and elements of products made using different manufacturing technologies are permitted.
- Differences in colour shades between colours applied in the DECOR technology and colours of film coatings with the same name, e.g. Golden Oak, are permitted.
- Differences in the colour shades between the door frame and leaf lining are permitted.
- In the case of varnishing the thermally insulated, or so-called "warm" profiles (with a thermal break), the varnish coat on the thermal break may be of lower quality and properties, which is not considered as a defect.
- The warranty shall not cover any coated elements that show defects which occurred during use and do not cover more than 0,25% of the entire surface area of the given element.
- Mechanical damage on the surface of the hardware (pulls, handles, cover plates, lock cylinders) which occurred due to normal use shall not be covered by the warranty.
- The warranty shall cover all coats on surfaces critical from the point of view of product appearance and operation. These critical surfaces do not include: edges, large recesses and secondary surfaces, suspension points, bare surfaces, hole edges or manufactured cut edges.
- The warranty shall not cover any coats damaged by exposure to temperatures over 70°C.
- The warranty shall be granted for paint coats if their maintenance requirements and conditions have been followed as defined in the Installation and Operating Manual or as-built documentation delivered with the product.
- Any coat damage discovered shall be immediately removed by competent persons.
- Paint coats are evaluated according to the QUALICOAT guidelines.
- Visual inspection of components operated outdoors shall be performed with the naked eye from a distance of 5 m, whereas in the case of components operated indoors – from a distance of 3 m.

V. WARRANTY SERVICE

- Any documented defects of the product shall be removed within the warranty period if caused by material or manufacturing defects.
- The Manufacturer shall repair the defective product or replace the product with a new one at their own discretion. The above provision does not exclude any right to other goodwill arrangements, e.g. price reduction arrangements.
- The Manufacturer undertakes to complete the repair within 30 days from the date of filing the warranty claim. The Product repair period may be extended if the components that the Manufacturer reasonably needs to replace are supplied from a third party or if adverse weather conditions where the warranty claim is processed make it impossible to carry out the technological process required to complete the repair – in such case, the repair period shall not exceed 60 days from the date of filing the warranty claim.
- In situations in which product repair should require work at heights above 2 m from ground level, the claimant shall provide the service team with safe access to the Product.
- If defects are found in the paint coat following permanent installation of the product (which renders the product immovable), the Customer shall have no right to require the Warrantor to repair the defects by repainting the powder-coating process; if the claim is found to be valid, the Manufacturer shall complete the repair on site using renovation paint coating, which may vary in shade and texture from the original powder coat.

The warranty service shall not be provided in the following cases:

- The product nameplate has been removed or defaced and thus rendered illegible.
- Damage caused due to improper product shipping, transport, handling, storage, installation or usage against the intended use.
- Intentional damage.
- Installation performed by an incompetent person*, against the Installation and Operating Manual or against the principles of good construction practice.
- Improper servicing of the product or servicing it against the Installation and Operating Manual or use of a defective product.
- Coating damage due to negligent maintenance or failure to comply with paint coat maintenance requirements and conditions as defined in the Installation and Operating Manuals or the as-built documentation delivered with the product.
- Exposure to external factors such as fire, water, salts, lyes, acids, organic solvents with esters, alcohols, aromas, glycol ether or chlorinated hydrocarbons, and other aggressive chemicals (e.g. cement, lime, abrasive and cleaning agents which result in material decrements or scratches) or abnormal weather conditions, natural disasters or random incidents.
- Disturbances in the operation of the control device caused by strong electromagnetic fields from nearby power or radio equipment.
- Damage to or malfunction of electrical equipment beyond any reasonable control of WIŚNIOWSKI Sp. z o.o. S.K.A., in particular caused by: lightning, spilled liquids, mechanical shock, incorrect power supply voltage or other external factors.
- Design modifications or changes made by the user or third parties without authorisation from the Manufacturer.
- Repairs by incompetent* persons or persons without the Manufacturer's authorisation.
- Use of non-genuine spare parts or additional equipment from other manufacturers without the prior written consent from the Manufacturer.
- Failure to perform the actions provided for in the Installation and Operating Manual and required to be performed by the user on their own and at their own expense.
- Failure to perform the paid periodic service inspections as required in the Installation and Operating Manual, confirmed with a record in the Warranty Sheet or with a Technical Inspection Report.
- Whenever the User fails to accept the Manufacturer's choice for the remedy of defects.

If a defect is found before installation of the product and is eligible for a warranty claim, the Manufacturer shall not be liable for any costs of the removal and subsequent installation of the product, if required in order for the defect to be removed.

VI. FINAL PROVISIONS

- The product is enclosed with the Installation and Operating Manual and the Warranty Sheet.
- The costs of repairing faults and defects not covered by the warranty are charged to the Claimant.
- If a component requires expert analysis by the vendor, the claim processing time may be extended.
- The warranty granted for the sold product does not invalidate, restrict or suspend the rights of the buyer provided for in the regulations on statutory liability for defects in sold goods.
- The product parameters which are not defined in the Warranty Terms and Conditions are specified in the Price Lists for respective product groups; see standard finish descriptions.
- To all matters not regulated in these Warranty Terms and Conditions, the general provisions of the law shall apply.
- Environment corrosiveness according to PN-EN ISO 12944-2:2018-02 "Paints and varnishes. Corrosion protection of steel structures by protective paint systems. Part 2: Classification of environments".
- A competent person is an individual with access to all the necessary instructions and manuals, who has been adequately trained, and with qualifications resulting from their knowledge and practical experience, able to ensure proper and safe assembly and installation.

WIŚNIEWSKI Sp. z o.o. S.K.A.
 PL 33-311 Wielogłowy 153
 TEL. +48 18 44 77 111
 FAX +48 18 44 77 110
www.wisniowski.pl

N = 49° 40' 10" E = 20° 41' 12"

INFORMATION

NIP (VAT no.): PL7343513-091 ■ REGON:122453276 ■ KRS: 0000431405

- This Price List contains proprietary confidential information intended for the Sales Partners of WIŚNIEWSKI Sp. z o.o. S.K.A.
- The prices provided herein are the baseline for calculation of the Manufacturer's product prices and apply to domestic (Polish) and foreign Sales Partners only.
- The prices provided are suggested retail prices at the Retail Outlets.
- The prices herein are in euro (EUR).
- The listed prices do not include VAT, which must be added at the valid rate.
- All orders delivered from this Price List shall be made on individual orders placed by the Sales Partners according to their individual needs. The ordered products are created under a customised and predefined production run for each order, considering (among others) the colours, dimensions, accessories, etc. The nomenclature, incl. standard finish, typical sizes and standard accessories is established by the Manufacturer to designate the dimensions, finish and colours that, in the Manufacturer's judgement, are most popular and widespread for the specific product and are the Manufacturer's reference nomenclature.
- The figures and photographs in this Price List are indicative only.
- The Manufacturer has the right to modify the products without notice as required by technological and engineering progress and to the extent which does not decrease aesthetic and functional qualities of products.
- This price list shall not be construed as a commercial offer under the Polish Civil Code.
- All rights reserved. No part of this publication (including text, graphics, logotypes, icons, tables, figures, photographs, drawings, etc.) may be copied or transmitted in any form or process without prior consent of the Manufacturer.
- All trade marks, graphic marks, proprietary names, logotypes and other data are copyright protected and owned by the Manufacturer.
- This Price List invalidates the previous Price List of 15.06.2021 and its amendments.

APPROVALS



Compliance with EU Directives



BRI Technical Approval



ISO 9001 Quality Certificate



NIH (PZH) Hygienic Attestation

NOTE!

1. Various varnish and paint manufacturing and pigmenting technologies, as well as the use of varnishes and paints on different substrates (e.g. steel, aluminium, plastics) and on example product samples may cause colour differences in relation to the original RAL 840-HR (semi mat) and RAL 841-GL (high gloss) primary standards to occur. Hence the presented colours and gloss grades are indicative only. The RAL chart and other colour charts are for reference only.
2. The two-colour (BIKOLOR) doors may show slight colour differences between the aluminium profiles and the infill.
3. The baseline for pricing of optional accessories is the base product price. The prices of optional accessories apply for their manufacturing. The prices are calculated individually in all other cases.
4. Due to the shipping limits, one of the dimensions (width and/or height) must not exceed 3000 mm.
5. Any finish other than featured in this price list shall increase the product price.
6. Custom orders always require individual pricing. Orders for custom deliveries (i.e. other than in this price list) require a minimum advance of 49% of the product value. The lead times are agreed individually.
7. The products are manufactured from the engineering documentation which complies to the Polish Construction Laws and current Safety Standards.
8. Unauthorised modification of design or changes are prohibited and void all warranty rights. Use of third-party spare parts is prohibited.
9. The prices provided for options apply when ordering the options with the base product. When purchasing any optional element separately, the prices specified in "Spare Parts Price List" shall apply.
10. All agreements for non-standard finish or custom accessories which are not included in the price list shall be made in writing.
11. Remove the protective film from the aluminium profiles within 2 weeks from installation and not later than in 6 from the delivery to the Retail Outlet.

All updated information is available at www.wisniowski.pl and at our On-line Service.

TABLE OF CONTENTS:

1. General	2
2. Terms and definitions acc. to standard - doors	2
3. Description of symbols	2
4. Description of design and technical data	2
4.1. Application and intended use	2
5. Installation guidelines	2
6. Installation requirements	2
7. Door marking	3
8. Technical properties of eco doors	3
9. Installation manual	3
9.1. Installation procedure	3
9.2. Installing the hinges	3
9.3. Adjusting the door leaf	3
9.4. Installing the hardware	3
9.5. Installing a door closer	4
9.6. Installing the anti-panic hardware	4
9.7. Anti-burglary bolts	4
9.8. Installing the threshold and drip cap	4
9.9. Door installation errors	4
9.10. Extra requirements	4
9.11. Finish	4
10. Environmental protection	4
11. Removing the eco door	4
12. Door instruction manual	4
13. Notes on operation	4
14. Important	4
15. Information on the door usage inconsistent with its purpose	5
16. Door running maintenance instructions	5

Dear Customer!

[B000108] Thank you for choosing our product. Carefully read and follow this manual. The manual contains important information about safe installation, use, correct care and maintenance of the steel door. Incorrect operation and/or maintenance will result in malfunctions that otherwise can be avoided. Should you still have any questions about this manual, contact our Customer Service.

[B000115] 1. GENERAL

- This Installation and Operating Manual is intended for Professional Installers, Competent Persons and door Owners. The manual contains the essential information to guarantee safe installation and use of your doors, as well as the information about correct care and maintenance of the steel door.
- Install the door and its components in accordance with the Installation and Operating Manual provided by WIŚNIOWSKI Sp. z o.o. S.K.A.
- Read the whole manual before attempting the installation. Read this Instruction thoroughly and follow it. Proper operation of the door largely depends on correct installation.
- **The manual covers the installation of the door with standard equipment and optional equipment components. The scope of standard and optional equipment is defined in the commercial offer.**
- [B000116] **The door may be installed and adjusted by COMPETENT persons at least.**
- The scope of activities a Professional Installer, a Competent Person and the door Owner can do is shown further in this manual.

[B000117] The manual presents installation of several types of doors. The reference drawings may vary in finish details. When necessary, the details are shown in separate drawings.

The manual contains the essential information to guarantee safe installation and use of your doors, as well as the information about correct care and maintenance of the steel door.

When installing the product, follow the Occupational Hygiene and Safety regulations for installation and fitting works with the use of power tools, depending on the applied installation technology, and consider the applicable standards, laws and reference construction documentation.

When renovating, protect the door against splashing of plaster, cement, gypsum, etc. which may leave stains of dirt.

Hand over the Installation and Operating Instruction to the product Owner once the installation has been finished. Protect the Installation and Operating Instruction from being destroyed and keep it safe.

If the door is installed with components from various manufacturers or suppliers, the door installer becomes the door installation manufacturer.

Do not modify or remove any of the door components. Otherwise it may result in damage to parts which ensure safe use of the product. Alteration of the door components is prohibited.

[B000124] 2. TERMS AND DEFINITIONS ACC. TO STANDARD - DOORS
Explanation of warning signs used in the instruction:

Attention! - this sign indicates that attention is required.



Information - this sign indicates important contents.



Reference - this sign refers to a specific item in this Installation Instruction.

Professional Installer - a competent person or unit who or which offers services of door installation, including their improvement, to third parties.

Competent Person - a person which has been adequately trained, with the qualifications resulting from their knowledge and practical experience, and provided with the necessary instructions to allow correct and safe performance of the required installation.

Owner - a natural or legal person with the legal title authorising them to dispose of the door, and liable for its operation and performance.

[D000324] 3. DESCRIPTION OF SYMBOLS

So - opening width

Ho - opening height

[C000289] 4. DESCRIPTION OF DESIGN AND TECHNICAL DATA

See the Price List for a detailed scope of dimension and technical data.

- The leaves of the ECO-DSp-1 and ECO-DSp-2 seamless doors, either single- or double-leaf, solid or glazed, are made of two sheets of galvanized metal sheet with polyester coating or powder coating. The passive leaf in double-leaf doors is locked with an automatic bolt, and the cover strip lip has an EPDM rebate gasket.
- The frames are made of steel shapes formed from 1.2 mm thick sheets and powder coated. The frame posts are welded. The door leaves are suspended on two hinges each in the frame.
- The rebate gasket made of EPDM is set around the frame circumference in the jamb and lintel grooves, and in the sealing threshold.

[C000290] 4.1. APPLICATION AND INTENDED USE

The WIŚNIOWSKI ECO seamless steel doors without fire rating and with or without thermal insulation are intended for industrial buildings, including food processing facilities (without direct contact with foodstuffs), general building engineering, residential housing, and hospitals (hospital rooms and operating theatres).

[B000059] 5. INSTALLATION GUIDELINES

Read these guidelines before proceeding with installing and activating the door. Follow the door installation and usage guidelines for a long and efficient usage. The order of the installation steps must be followed too.

[B000060] 6. INSTALLATION REQUIREMENTS

The door shall be used and operated as intended. The selection and use of doors in building engineering shall follow the specific technical documentation of the installation site prepared according to valid laws and standards.

[B000118] The doors may be installed in reinforced concrete walls, brick walls or in steel frames. The room where the door is to be installed must be completely finished (with the walls covered in plasterwork and the flooring finished). The finished walls must be free of defects in workmanship. The room must be dry and free of chemicals detrimental to paint coats.

Both the side walls and the headwall with the door installation opening lintel must be truly vertical and square to the floor, and finished.



Do not install the door before the finishing works (i.e. plastering, grinding, etc.).

The flooring at the bottom gasket shall be level and built to ensure free outflow of water. Assure proper ventilation in the room (for drying of materials).

[C000291] **7. DOOR MARKING**

The ECO DSp-1 and ECO DSp-2 seamless steel doors feature a label with the following information:

- manufacturer's name
- product name (symbol)
- reference document number
- serial number
- year of manufacture
- door properties
- CE mark

[C000292] **8. TECHNICAL PROPERTIES OF ECO DOORS**

- Watertightness class 4B
- Resistance to wind load class 1
- Air permeability class 1
- Thermal resistance of DSp-1 single-leaf solid doors $U = 1,4 \text{ W}/(\text{m}^2\text{K})$
- Thermal resistance of DSp-2 double-leaf solid doors $U = 1,7 \text{ W}/(\text{m}^2\text{K})$

[B000062] **9. INSTALLATION MANUAL**

Proper door operation to a large degree depends on its correct installation. WIŚNIOWSKI Sp. z o.o. S.K.A. recommends authorised installation companies. Only installation and maintenance done by competent persons or companies, in line with this manual, may guarantee safe and intended operation of the door.



[A000081] **The door may be installed and adjusted by COMPETENT persons at least.**

[C000294] **9.1. INSTALLATION PROCEDURE**

1. The door is delivered fully assembled to the customer. The packaging enclosed with the door includes the following accessories: door handle, lock cylinder, set of keys, adjustment plates, counter-bolt, and other, depending on the door equipment type.
The door can be installed with or without the threshold. The external doors are enclosed with the threshold and the drip cap, which are not pre-assembled.
2. There are two possible installation types of the ECO seamless door:
 - on steel plugs installed directly in the frame holes. The pin type depends on the wall material;
 - directly on the anchoring plates welded to the frame.



The plugs are not included in the installation kit.
The selection of fasteners heavily depends on the type and structure of the building material to which the doors will be fixed.

3. Start the installation with the following actions:
 - Check that the frame posts are vertical and the lintel is horizontal.
 - Check that the door width at the bottom is identical to the door width at the top.
4. Check the door installation opening dimensions:



The doors feature protection boxes which are not considered in the clear opening.
During installation, make the corresponding holes in the wall in the required places, to ensure the free installation of the frame.

- 4.1 For the corner frame, check the following:
 - The opening width S_o must be 73 mm less than the outer dimension of the frame of the single-leaf door;
 - The opening width S_o must be 75 mm less than the outer dimension of the frame of the double-leaf door;
 - The opening height H_o must be 41 mm less than the outer dimension of the frame of the single or double-leaf door.
- 4.2 For the inner frame:
 - The opening width S_o must be 28 mm larger than the outer dimension of the frame of the single or double-leaf door;
 - The opening height H_o must be 15 mm larger than the outer dimension of the frame of the single or double-leaf door.
5. Mind the type of the anchors (wall plugs) in use. They must have flat heads to be flush with the frame shape wall surface when fully screwed in. The $\varnothing 10$ anchor holes are factory made.
6. The seamless steel doors are delivered with the bottom transport threshold. The transport threshold can be screwed in (in the doors with the clear passage width of 80, 90 or 100).
The screwed transport threshold is an angle bar sized 21 x 21 [mm].
The transport threshold can be welded (in the doors with the dimensions otherwise than stated above).
The welded transport threshold is a channel bar sized 35 x 15 [mm].

Handle the transport threshold of the seamless steel door as follows:

- unscrew and remove before installation (in the doors with the clear passage width of 80, 90 or 100);
 - cut out and remove before installation (in the doors with the dimensions otherwise than stated above);
 - leave as is to be cast in concrete, if the flooring is not yet finished.
7. Separate the door leaf from the frame:
 - driving out the hinge pins, or
 - by removing the M6 bolts which fasten the inner parts of the hinges to the door leaf.
 8. Set and anchor the door frame in the opening with the wall plugs installed **ONLY ON THE HINGE SIDE** at the top.



ATTENTION! When drilling out the installation holes, keep the hole axes offset from the frame towards the inner side of the door. This will prevent the wall from cracking around the drilling points and loss of installation stability.

- Anchor the two holes out of the four on the hinge side. In the double-leaf door, install the first anchors in the two top holes on both sides of the frame.
9. When anchoring the frame to the wall, remember that excessive tightening of the anchors may pull the frame wall towards the installation hole and visibly deform the frame. It is recommended to use spacing stops, e.g. wooden blocks at the installation holes to prevent deformation of the frame.
 10. Mount the door leaf in the frame and visually inspect that the leaf fully mates with the frame. Use a level to verify this.
 11. If the door leaf does not fully mate with the frame, correct this by shifting the non-anchored parts of the frame in or out of the opening to have the door rebate mate completely around the entire circumference.
 12. If the visual mating is achieved, anchor the remaining frame holes. Mind Section 9 of this manual. For the double-leaf door, drill a hole in the floor for the seat of the bottom bolt bar of the passive leaf.
 13. Check the door closing action once the frame has been anchored. Adjust the door so that the leaf closes smoothly inside the frame. If the leaf fails to close in the frame despite the previous adjustment, the frame holes may need slight broaching by filing off the edges.
 14. Once the door leaves have been adjusted and the door frame anchored, thoroughly seal the gap between the wall edge and the frame with a cement mortar or a PU foam. The frame must be fastened tight to prevent its deformation during operation of the door.

[C000297] **9.2. INSTALLING THE HINGES**

The ECO DSp-1 and ECO DSp-2 seamless steel doors feature two hinges. One of the hinges is a spring-action hinge which assures self-closing of the door. Having installed the door in the frame, use a rubber mallet to install the pins of both hinges. Adjust the closing force of the spring-action hinge by placing an Allen key in the hinge pin hinge and then turning the key in the door closing direction to set the spring tension, i.e. the force required to shut the door. Next, lock the spring with the bolt installed in the hinge hole. Verify that the hinge has been properly set by opening the leaf at 45 degrees and letting it close itself. Do not keep the hinge spring tensioned if a door closer is used. The adjusting hinge can be located in the top or bottom part of the door.

Do the following to properly install the hinges on the ECO DSp-1 and DSp-2 seamless steel doors:

- align the inner hinge parts (1) within the outer hinge parts (2);
- drive in the hinge pins (3) with a rubber mallet;
- use an Allen wrench (4) to set the hinge spring tension;
- lock the spring with the counter-bolt (5);

[B000110] **9.3. ADJUSTING THE DOOR LEAF**

The leaf of the seamless steel doors can be adjusted with special shims included in the accessories box. If the installed leaf drops down and the bottom edge rubs against the floor or the leaf is too high up and the top leaf edge rubs against the lintel, slightly loosen the M6 bolts which fasten the inner hinge parts to the leaf and slide in the shims under the hinges. The shims located under the top hinge will lower the leaf; the shims under the bottom hinge will lift the leaf. The shims can be stacked to the desired thickness.

[C000295] **9.4. INSTALLING THE HARDWARE**

Do the following to install the hardware on the ECO DSp-1 and DSp-2 seamless steel doors:

- insert the lock cylinder (1) in the lock opening;
- fasten the lock cylinder with the bolt (2);
- insert the handle spindle (3) in the upper lock hole;
- install the steel handle plates (4);
- tighten the handle plates together with the bolts (5) and the bushes (6): note that the bolts (5) must be inserted from the inner side of the leaf, and the bushes (6) should be on the outer leaf side;

- lock the spindle (3) in the handle grip (4) with the Allen socket screws (7);
- put the covers on the handle plate (8).

The handles should be fastened tight and should not swing away from the door surface. Sometimes the leaf does not close shut in the frame after installing the hardware. If this happens, use a hand file to broach the lock holes in the frame.

[C000285] 9.5. INSTALLING A DOOR CLOSER

Install the door closer as instructed in the installation manual of the device provided by its manufacturer. Fasten the door closer to the leaf by using the factory made holes on the mounting plate. Using sheet metal screws may damage the door leaf. The door shell is reinforced at the door closer installation location.

[C000307] 9.6. INSTALLING THE ANTI-PANIC HARDWARE

Do the following to install the anti-panic hardware on the ECO DSP-1 and DSP-2 seamless steel doors:

- Press in the anti-panic lever handle (1) into the lever seats (2);
- Insert the lever mandrel (3) in the upper lock hole;
- Locate the lever (2) to the door leaf shell on the inner side;
- Locate the handle (4) to the door leaf shell on the outer side;
- Tighten the lever (2) to the handle (4) with the assembly kit parts (5);
- Install the plastic fascia (6) on the lever (2);
- Install the plastic fascia (7) on the lever (2);
- Tighten the plastic fascia (7) with the assembly kit parts (8).



ATTENTION! The anti-panic hardware set is fastened to the door leaf with four M5 bolts on the hinge side and with two M5 bolts and two M5 sets (bolt and bush) on the lock side.

[C000296] 9.7. ANTI-BURGLARY BOLTS

The ECO DSP-1 and ECO DSP-2 seamless steel doors do not have anti-burglary bolts. These bolts are an optional accessory screwed into the door leaf on the hinge side with the purpose of:

- preventing the removal of the door leaf after dismantling the hinge pins by unauthorised persons when the door is locked.

[C000308] 9.8. INSTALLING THE THRESHOLD AND DRIP CAP

The ECO DSP-1 and ECO DSP-2 external seamless steel doors feature a threshold with a gasket and a drip cap. These parts prevent ingress of water through the top and bottom edges of the door leaf.

The external door threshold is fastened directly to the flooring with Ø10 wall plugs installed in the factory-made holes. The drip cap is bolted to the frame lintel with 4.2 sheet metal screws.



ATTENTION! Mind the installation height of the drip cap. An incorrect installation height of the drip cap may result in collision with the door leaf.

[D000342] 9.9. DOOR INSTALLATION ERRORS

Errors may occur when installing the door, but they are easy to avoid when the following steps are taken:

- the leaf of a closed door has a diagonal
- play between the door frame and leaf is the same on both sides
- all connections parts tightened well.

Disregarding these basic recommendations may cause malfunctioning, damage or warranty loss of the door.

[B000063] 9.10. EXTRA REQUIREMENTS

On the installation complete, check if the door has a standard CE rating plate, provide it if not. When you verify the door operates correctly, submit the door Installation & Operating Instruction and, if required, the Door Report Book to the owner.

[B000111] 9.11. FINISH

- Remove the protective plastic sheet from the door leaf once you have installed the door.



ATTENTION! The paint coat covered with the plastic sheet may suffer permanent damage when exposed to sunlight and/or water.

- Sometimes a door stop must be installed to protect the door leaf from damage.



[B000064] Upon installation, immediately remove the protective film from the door skin sheet. Otherwise the heat from insulation will make the film stick to the skin sheet strongly. The film then may be impossible to remove and so the skin varnish coating will be damaged.

[A000008] 10. ENVIRONMENTAL PROTECTION

Packaging

Elements of packaging (cardboard, plastics, etc.) are classified as waste suitable for recycling. Follow local legislation for specific material before throwing it away.

Scrapping of equipment

The product consists of many different materials. Most of the materials used are suitable for recycling. Sort it before disposal, and then deliver to refuse collection and disposal area for recycling.



Follow local legislation for specific material before scrapping.



[A000009] **Important: Recycling cuts raw material usage and wastes volume.**

[A000118] This equipment is labelled according to the Waste Electrical and Electronic Equipment Directive 2012/19/EC.

This labelling states that once used, the equipment must not be disposed of with household waste. The equipment user must bring the waste equipment to authorised WEEE collectors. The collectors, including local collection points, retailers and community units form an appropriate system for handing over the WEEE.

Proper disposal of waste electrical and electronic equipment helps avoiding the consequences to human health and environment caused by hazardous components and improper landfilling or processing of waste equipment.

[D000455] 11. REMOVING THE ECO DOOR

1. Open the door;
2. Drive out the hinge pins;
3. Remove the leaf clear of the hinges while holding the leaf in the vertical;
4. Remove the frame from the wall opening.

[B000072] 12. DOOR INSTRUCTION MANUAL



- **Do not obstruct the door movement area.** Accordingly, no barriers may stand in the way of opening or closing door. Make sure that no persons, especially children, or objects stand in the way of a moving door.

Caution! Risk of accident.

- [B000073] Do not use inoperative door, especially if evident damage to suspension elements or safety devices has occurred.
- [B000074] Do not use malfunctioning doors or the ones with damaged subassemblies. The usage must be discontinued and an authorised service should be contacted.

[B000075] **Before the first opening, the correct installation should be verified in line with the Installation & Operating Instruction.**

The product is installed properly when its operation is easy and its leaf moves smoothly.

[D000346] **Opening and dosing** - the door may be opened manually only with an external or internal handle! A steel door is opened after pulling the handle in the opening direction.

Incorrect operation may lead to an accident!

Locking and unlocking - a door closed with a handle is not locked. Locking is done by turning a key by 360°.



[C000209] **It is prohibited to put any objects between the opening or closing door leaf and frame.**

Caution! Risk of accident.

[D000456] 13. NOTES ON OPERATION

The following are the essential requirements for correct door operation which will assure long and reliable performance:

- protect the door from conditions harmful to paint coats and metal parts, e.g. corrosives, such as acids, alkalis or salt;
- when finishing or renovating the room, protect the door from splashes of plaster, paint and solvents;
- if the door resists too much during opening, verify that it has been properly installed; if any installation errors are found, adjust the door as instructed in the installation manual.

[B000067] 14. IMPORTANT



- Keep this manual with due care.
- All operation activities should be done in line with the door Installation & Operating Instruction.
- When performing any maintenance or repairs on the door, work

safety regulations and guidelines from the door Installation & Operating Instruction must be observed.

- Do not change door subassemblies or parts.

[B000068] 15. INFORMATION ON THE DOOR USAGE INCONSISTENT WITH ITS PURPOSE



- Do not obstruct the door movement area. Make sure that no persons, especially children, or objects stand in the way of a closing or opening door.
- No persons or objects are allowed to stay in the door clear opening when the door is opened.
- You may not stop, walk, run or drive under the door in motion.
- The door must not be used to lift objects or persons.
- No parts of the door may be modified or removed! Doing so may affect its safe operation.

[B000120] 16. DOOR RUNNING MAINTENANCE INSTRUCTIONS

These actions may be performed by the Owner following thorough reading of the Installation and Operating Instruction provided with the door.

- [B000121] Clean the door leaf and frame with a sponge and clean water, or commercial agents suitable for cleaning paint coats. Do not use any cleaning agents which may scratch the surface, sharp tools or cleaners based on NC solvents.
- Lubricate the hinged joints with a solid grease if necessary.
- Lubricate the lock cylinder with a graphite grease if necessary.
- Retighten all loose hardware.

If any operating malfunctions or damage to the door components is found, stop using the product and contact the Authorised Service.

[B000122] These actions may be performed by Competent Persons with relevant authorisation:



Periodically inspect the door at least every 12 months.

The standard maintenance requires the following actions to be completed:

Leaf and frame

- Check for corrosion spots

Lock

- Check the pawl and relubricate if necessary
- Check the lock fastening bolts
- Check that the lock works well

Hinges

- Check the fastening
- Grease the hinge pins

Hardware

- Check the fastening bolts and retighten them if necessary

Lock cylinder

- Lubricate with a graphite grease

Door closer

- Check the fastening on the leaf and the frame
- Adjust the door closer, the closing speed and the shutting force according to the manual provided by the door closer manufacturer

Gaskets

- Check the wear and replace if necessary

Product marking

- Check that the nameplate is legible, clean if necessary



Failure to complete the aforementioned actions may result in injury of persons or damage to nearby object by the door leaf.

[B000077] Activities to be performed by a professional installer only:

Any rework or modifications must be agreed with WIŚNIEWSKI Sp. z o.o. S.K.A. The following activities may be performed exclusively by authorised WIŚNIEWSKI Sp. z o.o. S.K.A. service:

- identification of a door type and a serial number.
- checking the door marking and warning sticks; providing if required.
- checking connection parts used in a door: door-to-wall plugs, setting screws.

Analyse conditions the door operates in; if they differ from required operation conditions the user must be informed on possible consequences (e.g. possible breakdown).

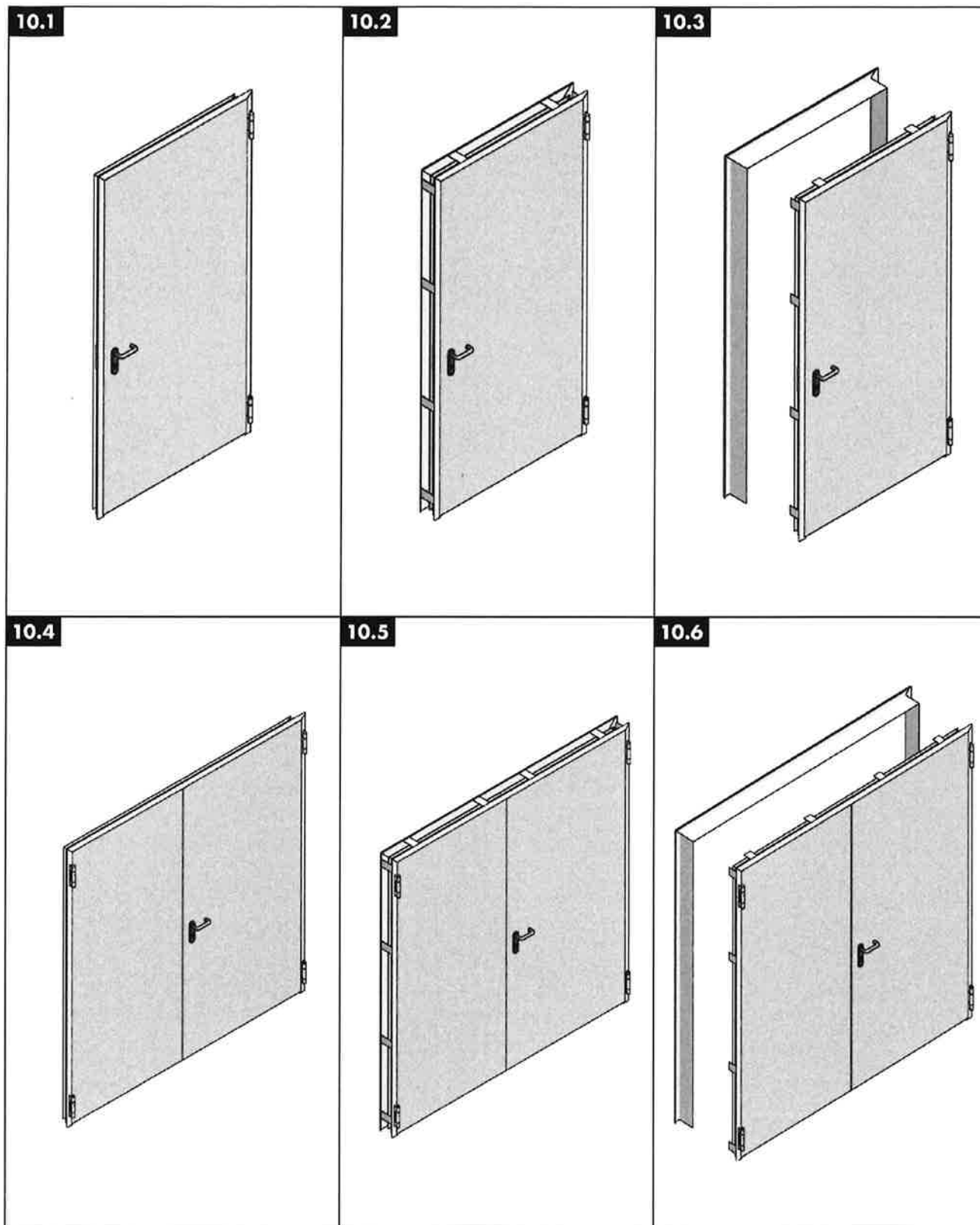
[B000078] The following activities may be performed exclusively by authorised WIŚNIEWSKI Sp. z o.o. S.K.A. service.

- any modifications of doors,
- repairs of door subassemblies.

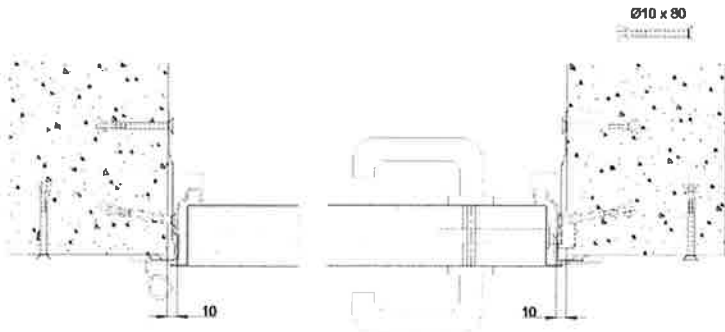
[A000012] WIŚNIEWSKI Sp. z o.o. S.K.A. reserves the right to introduce design modifications due to technological progress that do not alter the product functionality, without prior notice.

This documentation is copyright of WIŚNIEWSKI Sp. z o.o. S.K.A. Copying, reproduction and usage in full or in a part without the written consent of the owner is prohibited.

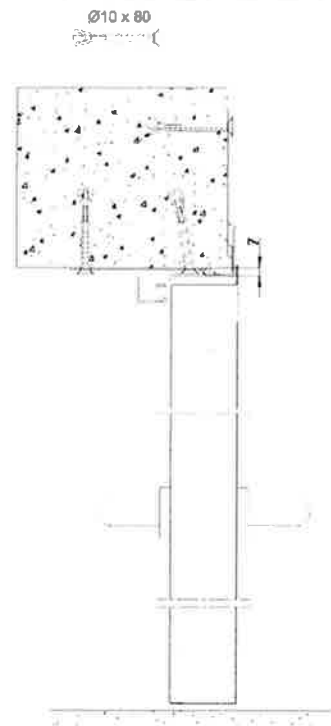
[A000048] This document has been translated from Polish. In case of discrepancies, the Polish version prevails.



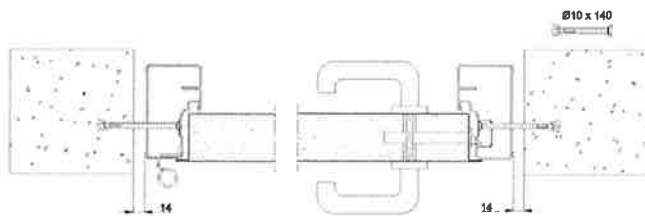
10.7



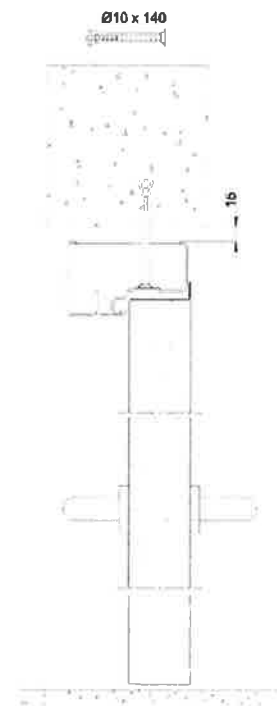
10.8



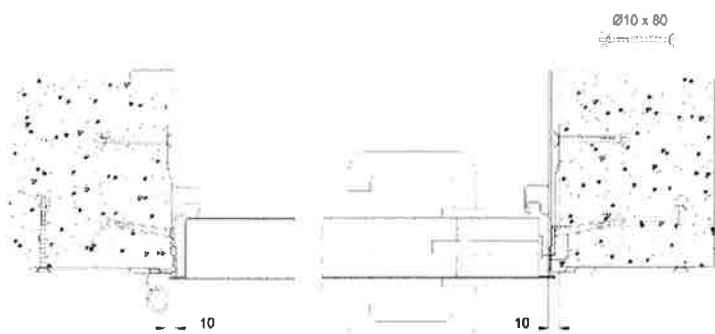
10.9



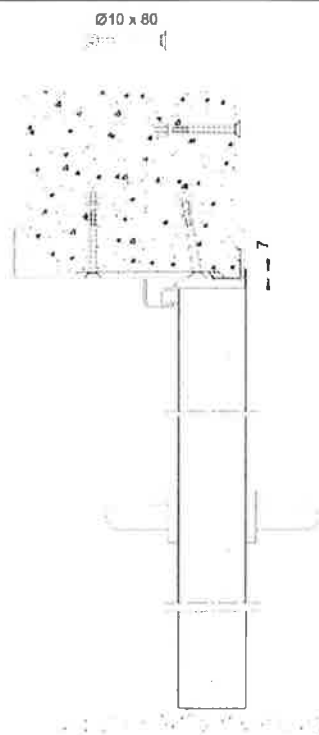
10.10



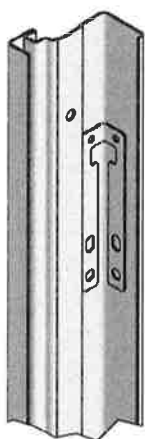
10.11



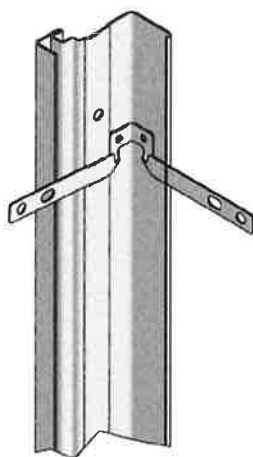
10.12



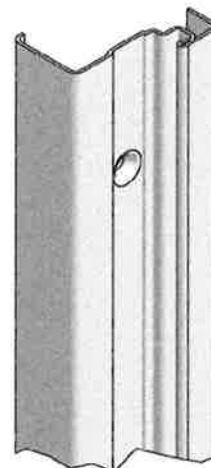
11.1



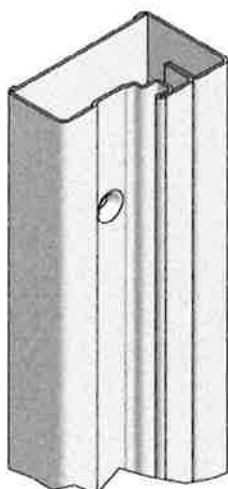
11.2



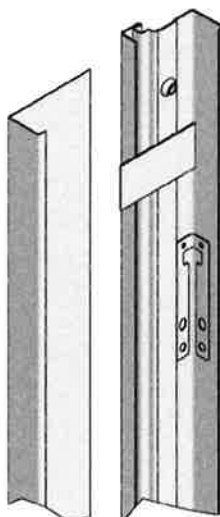
11.3



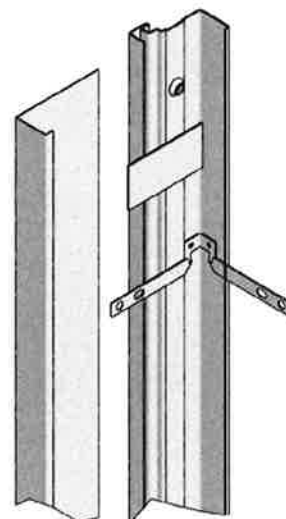
11.4



11.5



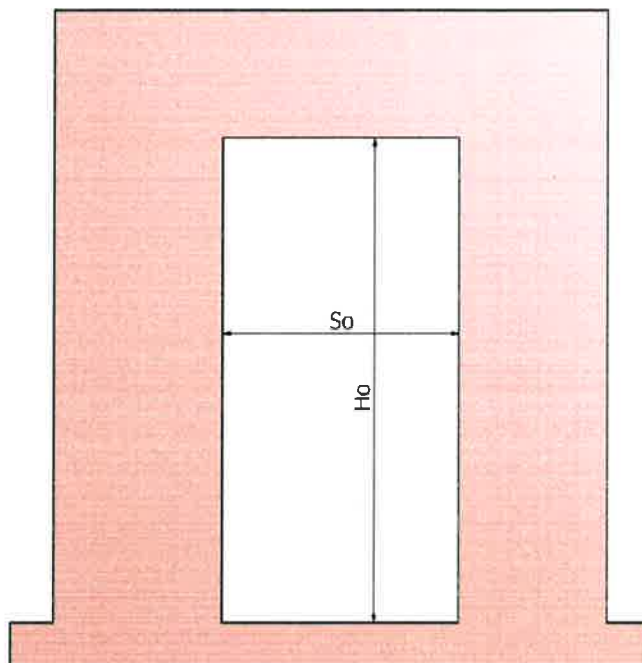
11.6



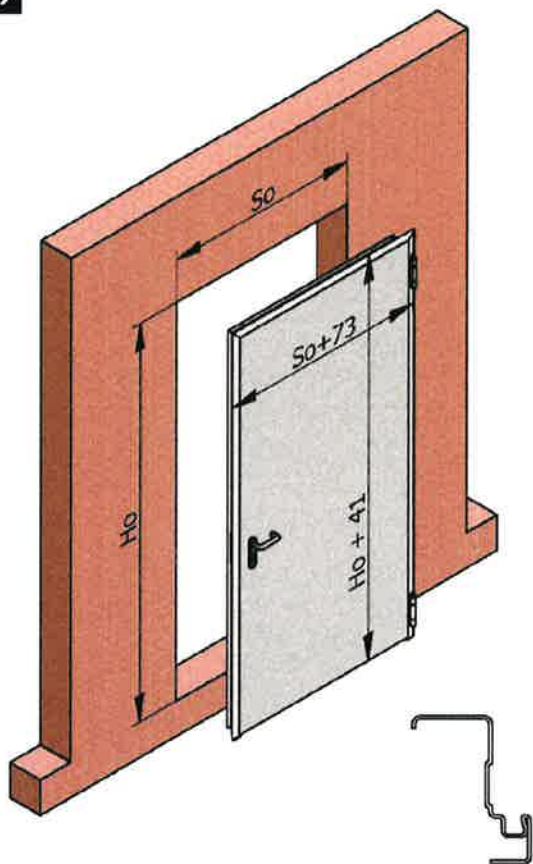
11.7



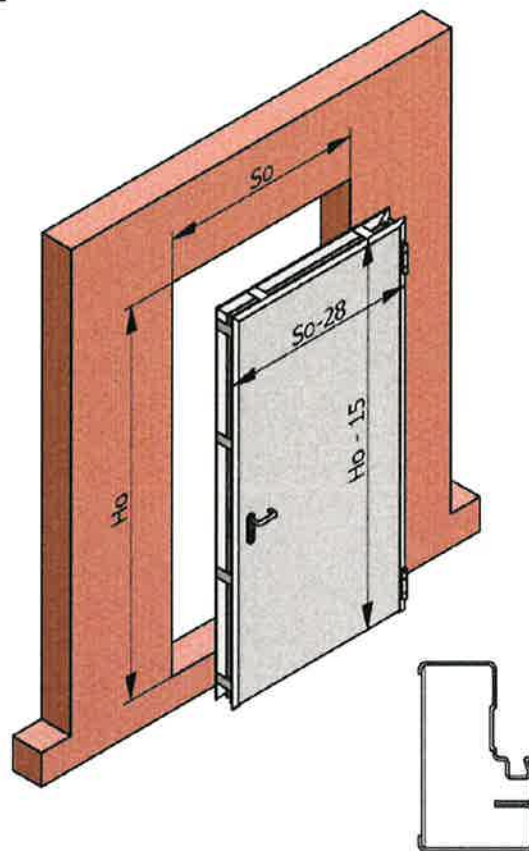
11.8



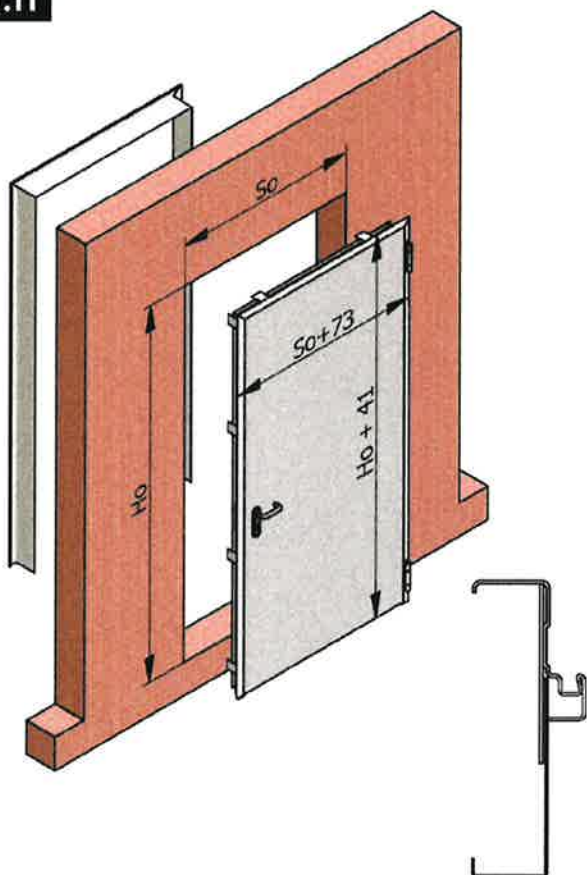
11.9



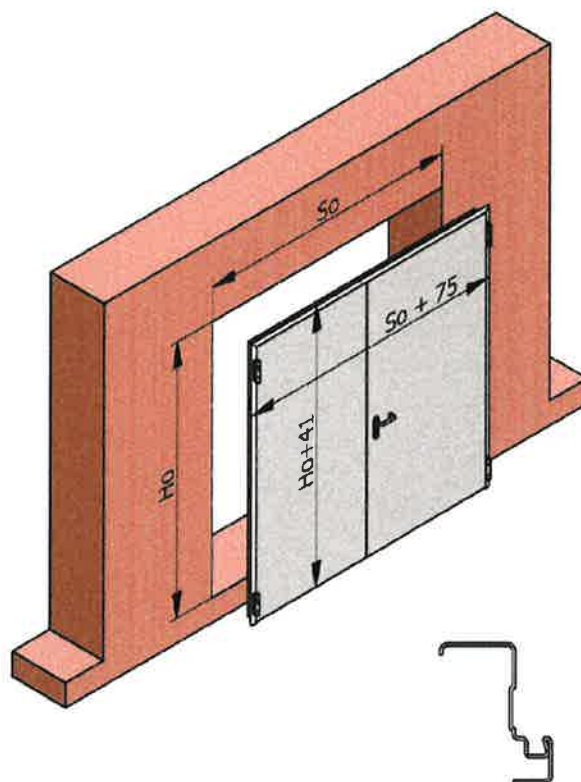
11.10



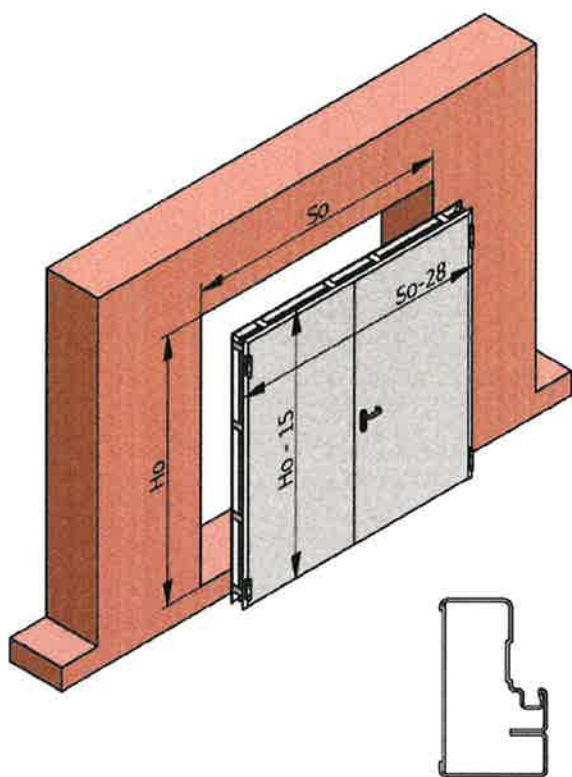
11.11



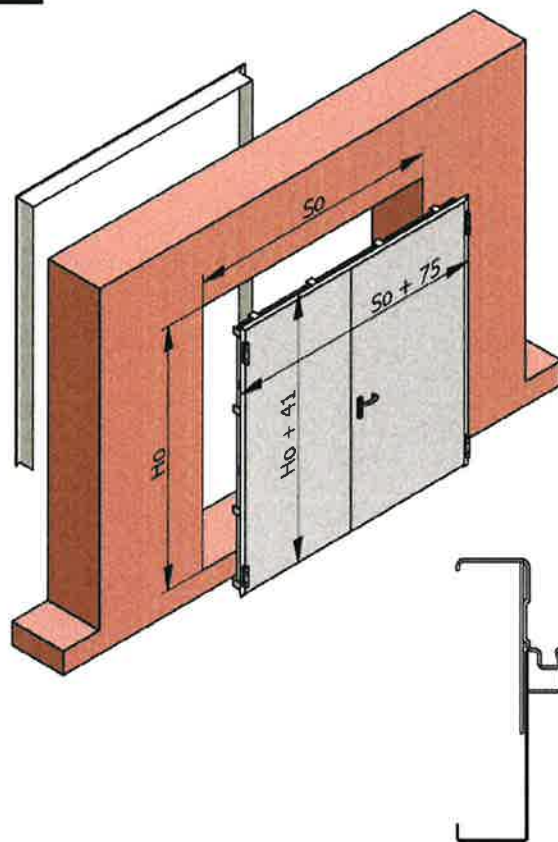
11.12



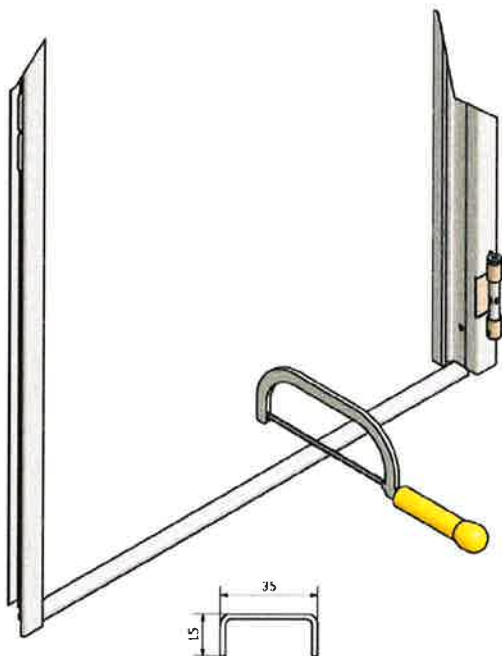
11.13



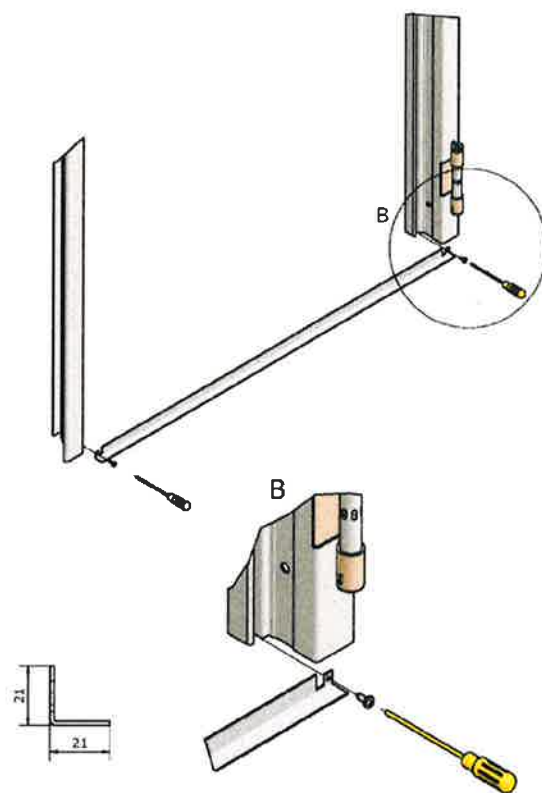
11.14



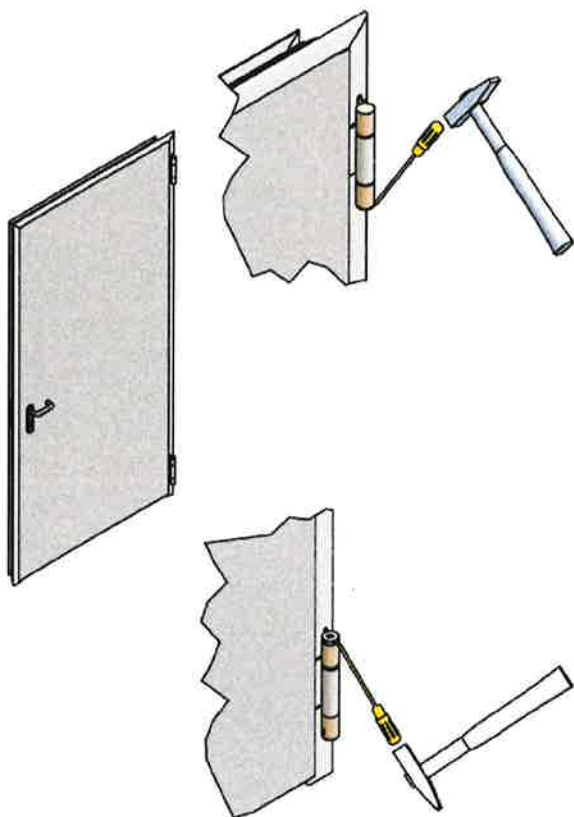
11.15



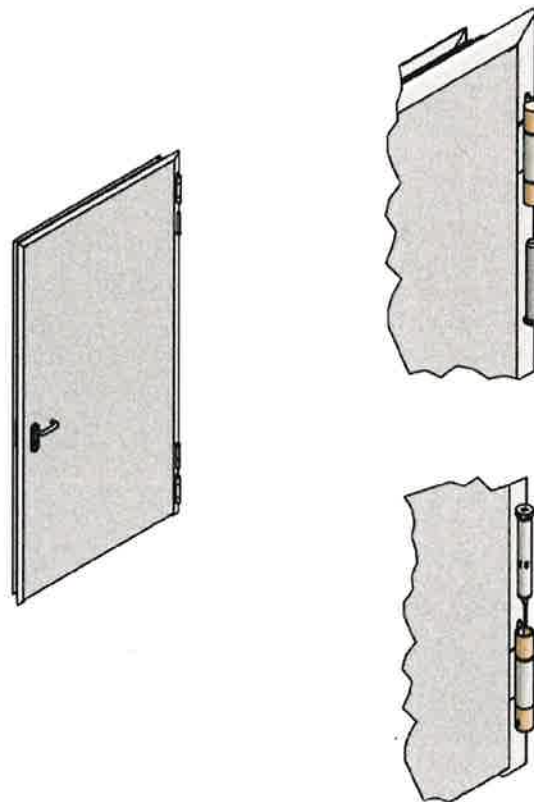
11.16



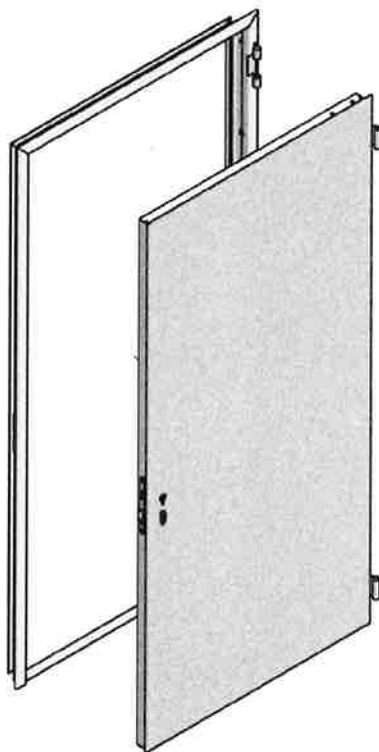
11.17



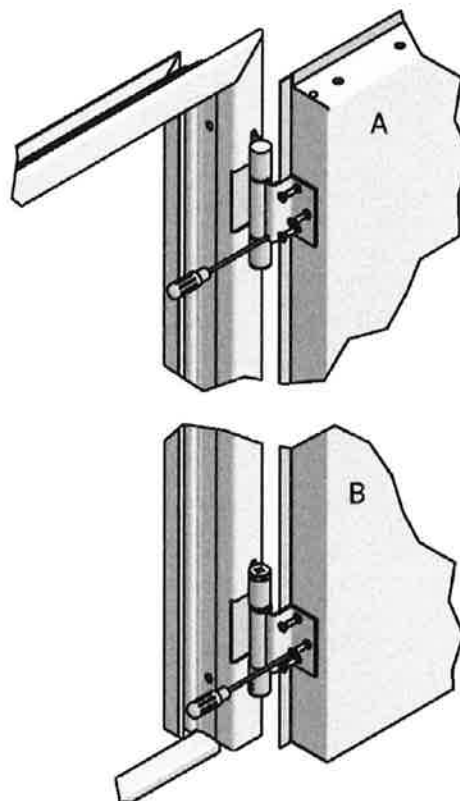
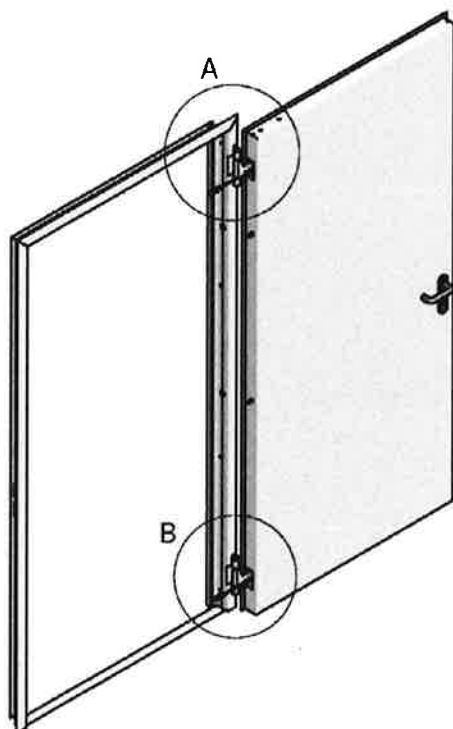
11.18



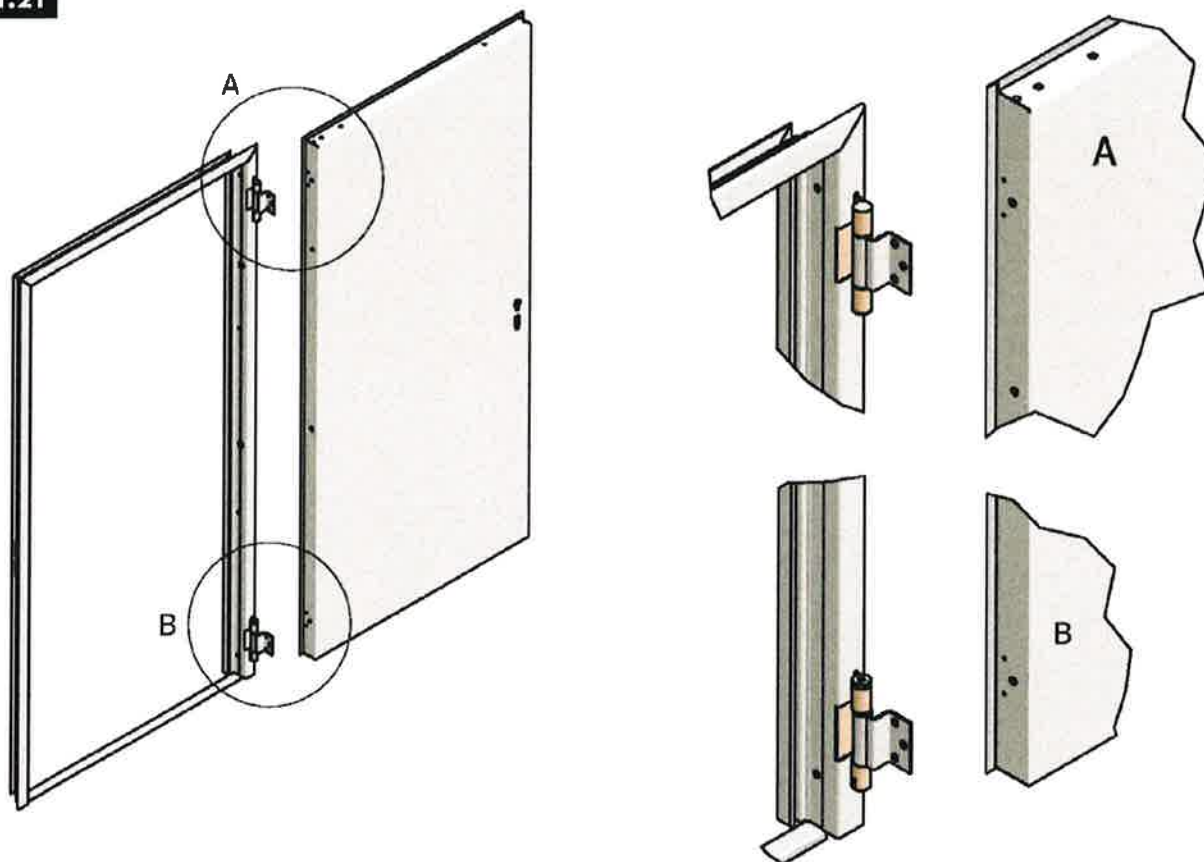
11.19



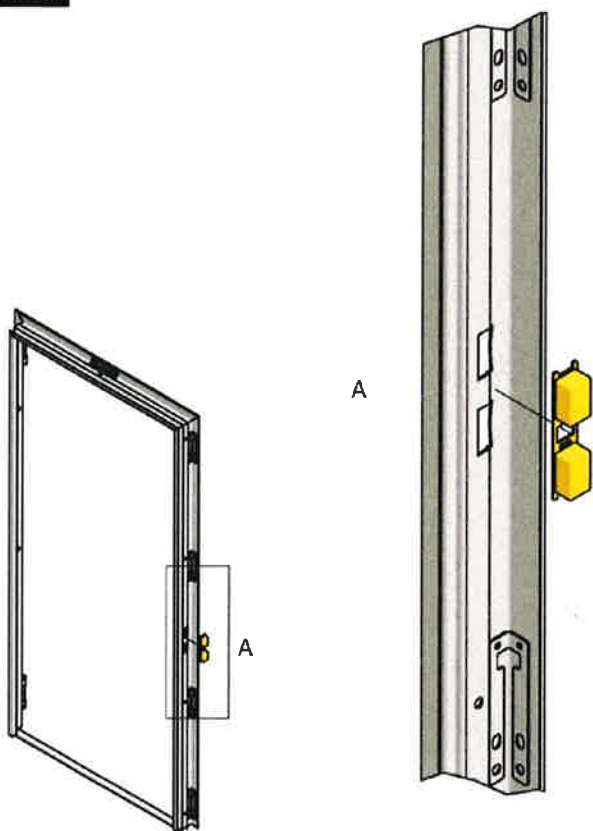
11.20



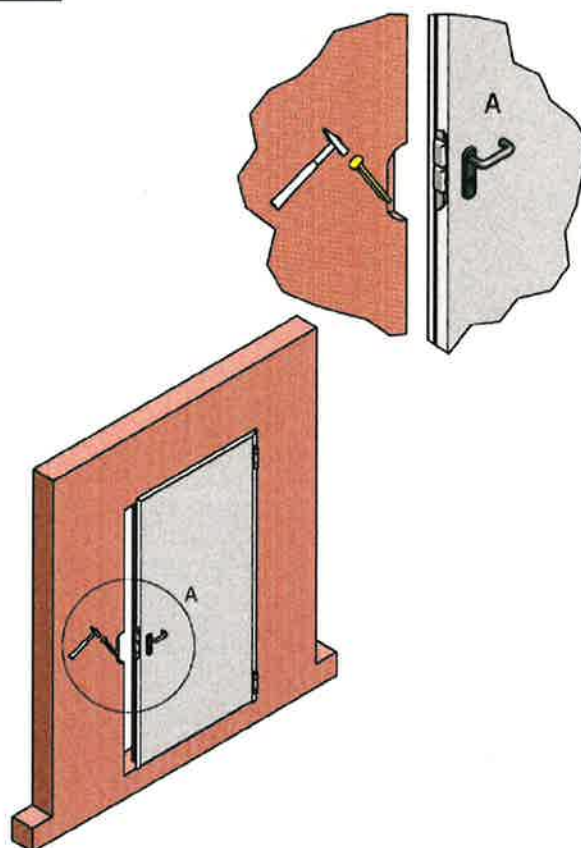
11.21



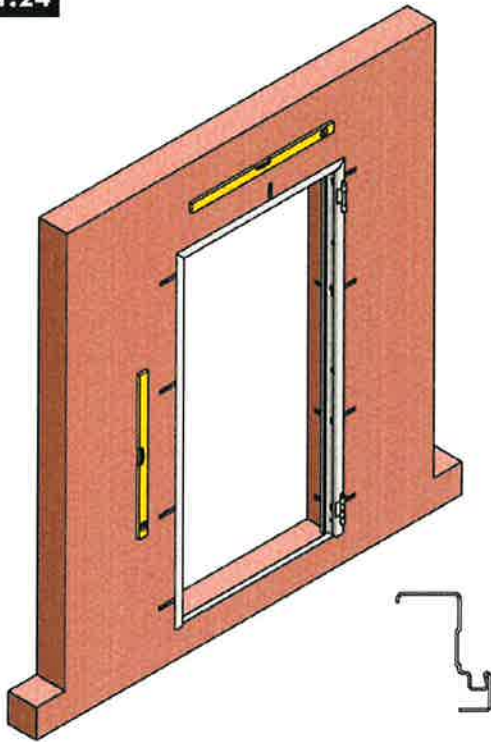
11.22



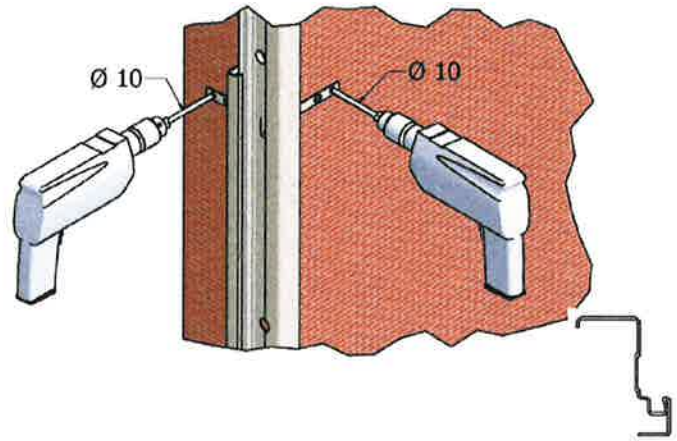
11.23



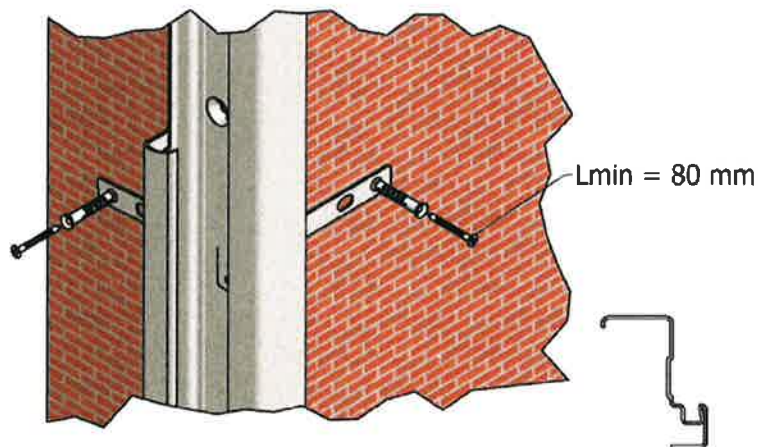
11.24



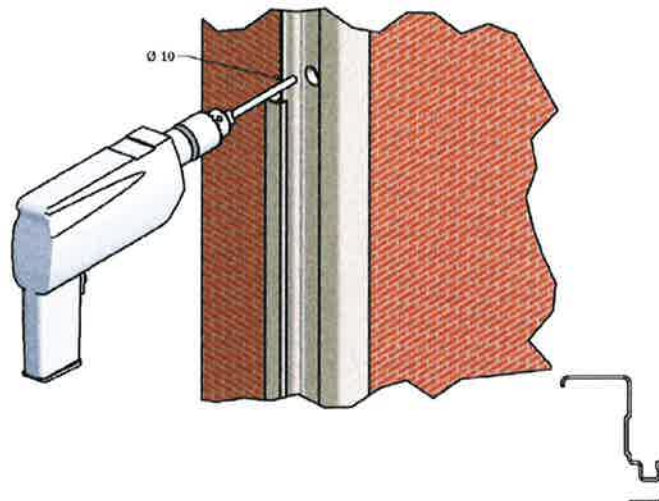
11.25



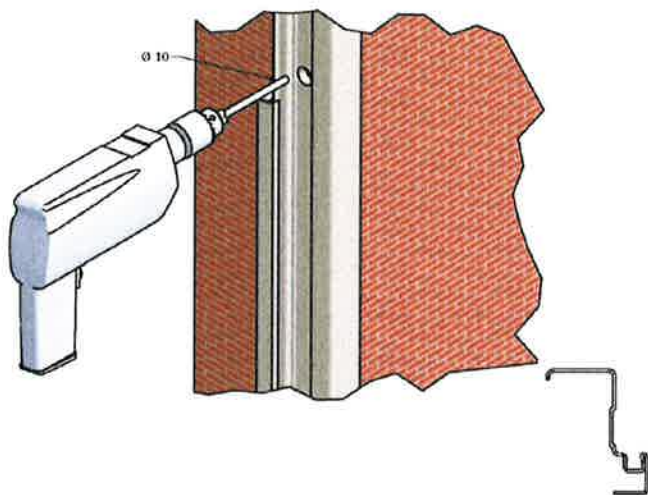
11.26



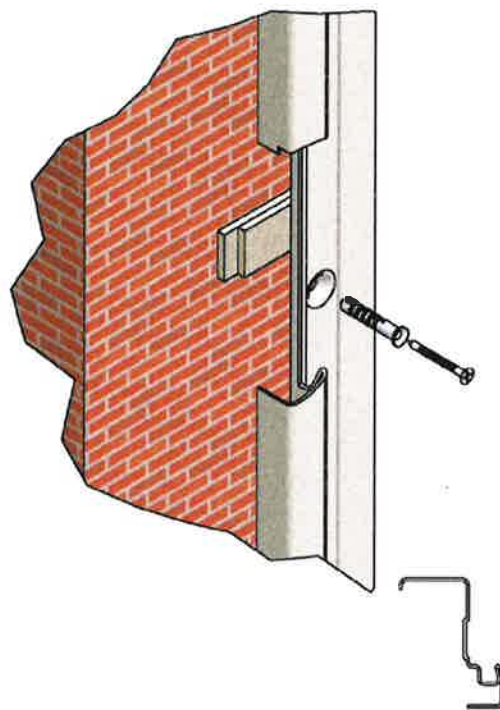
11.27



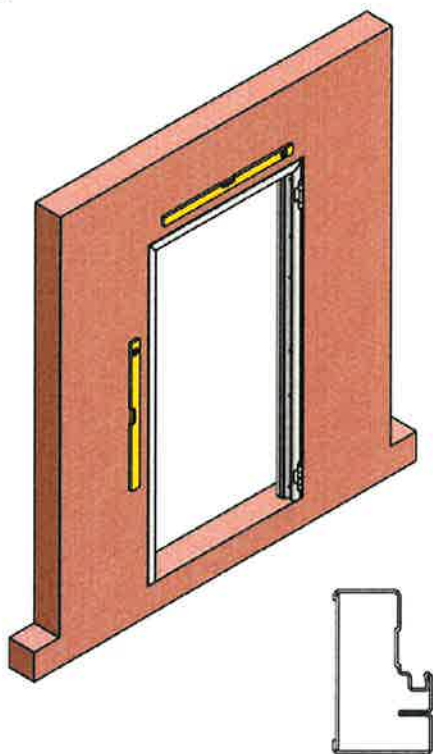
11.28



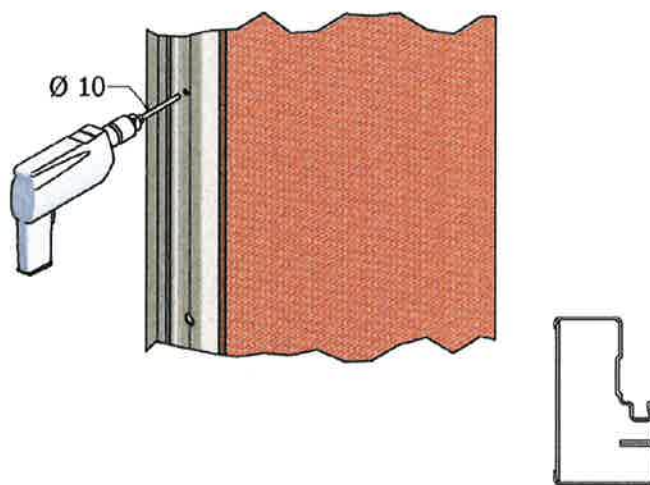
11.29



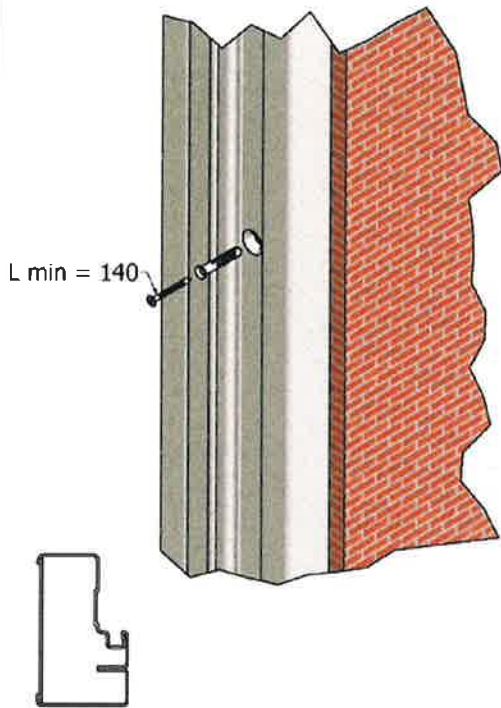
11.30



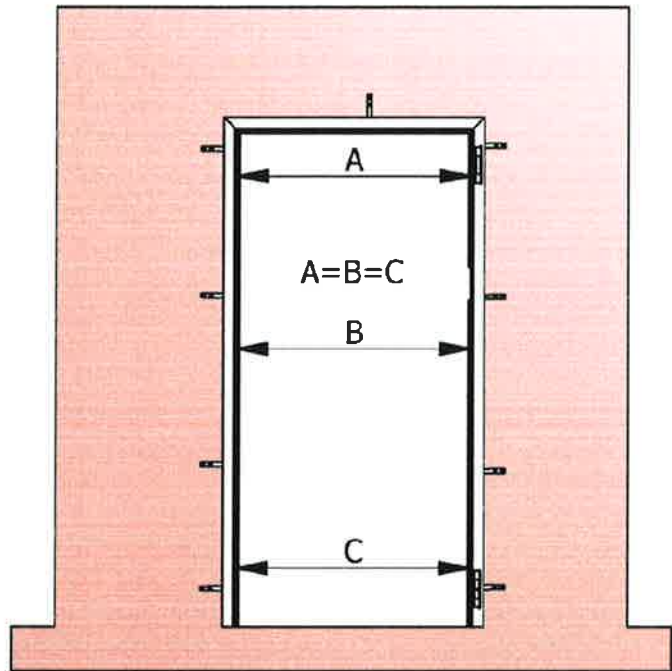
11.31



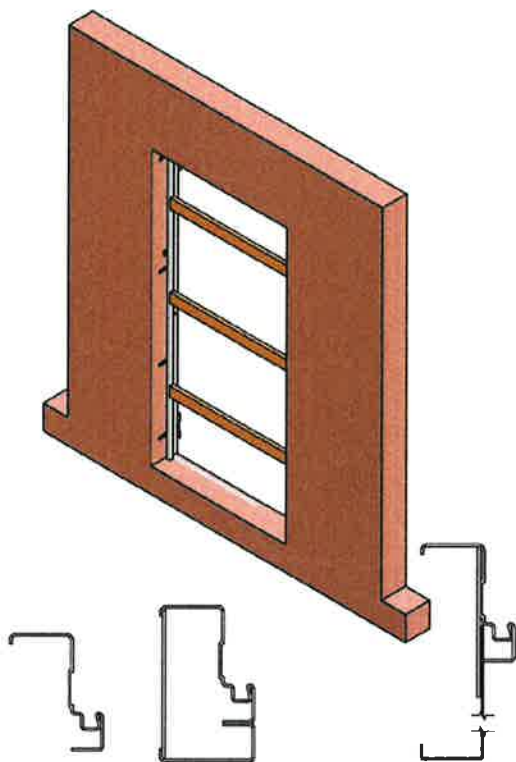
11.32



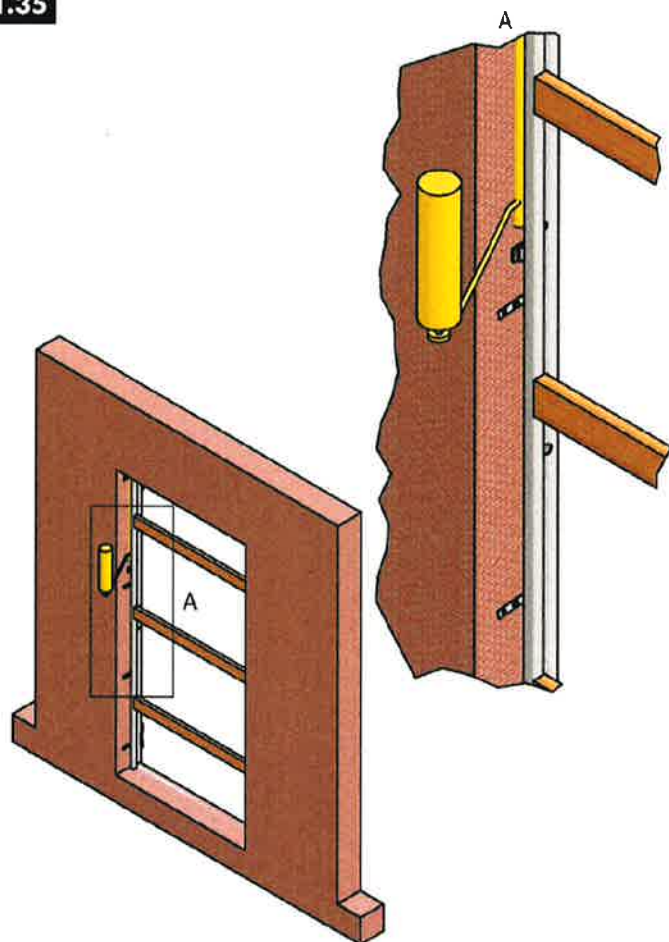
11.33



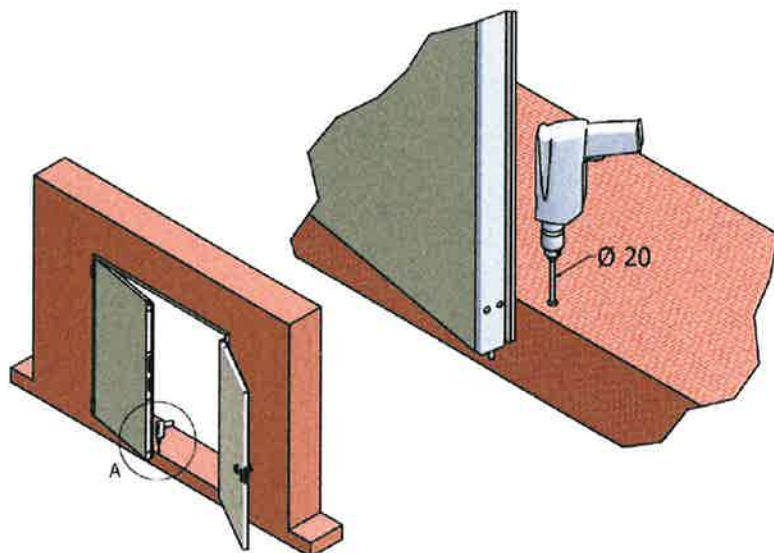
11.34



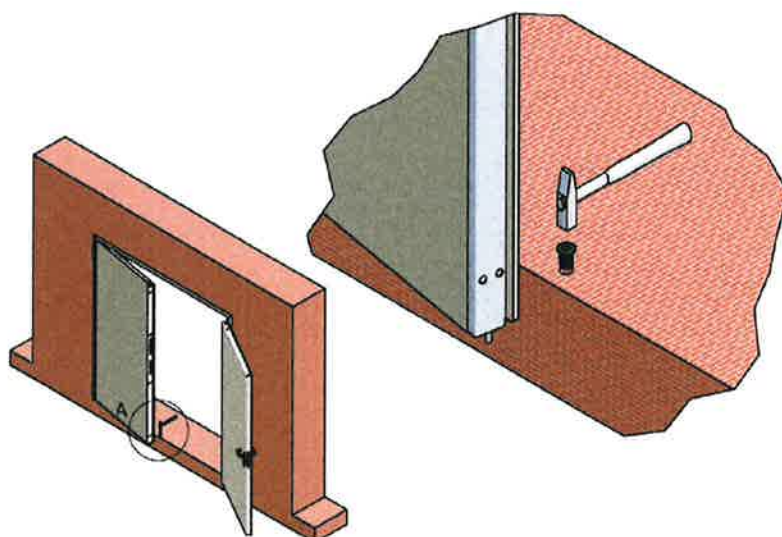
11.35



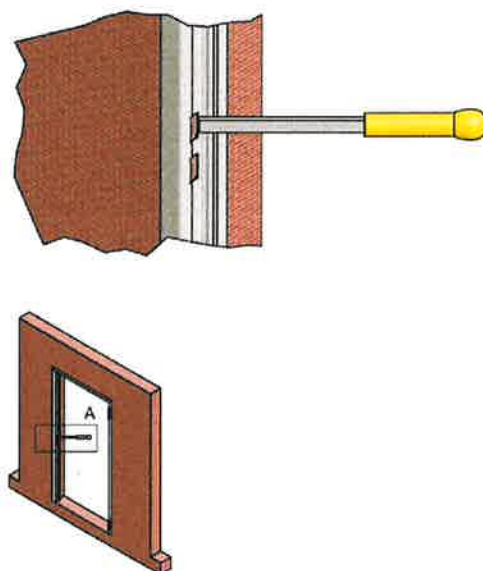
11.36



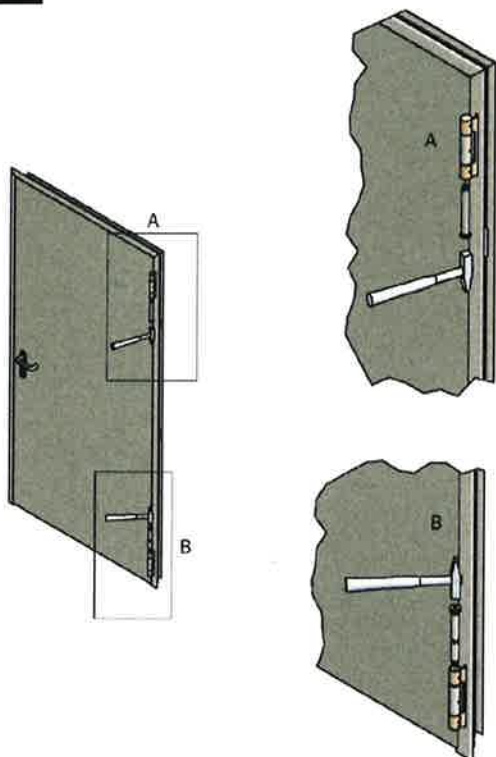
11.37



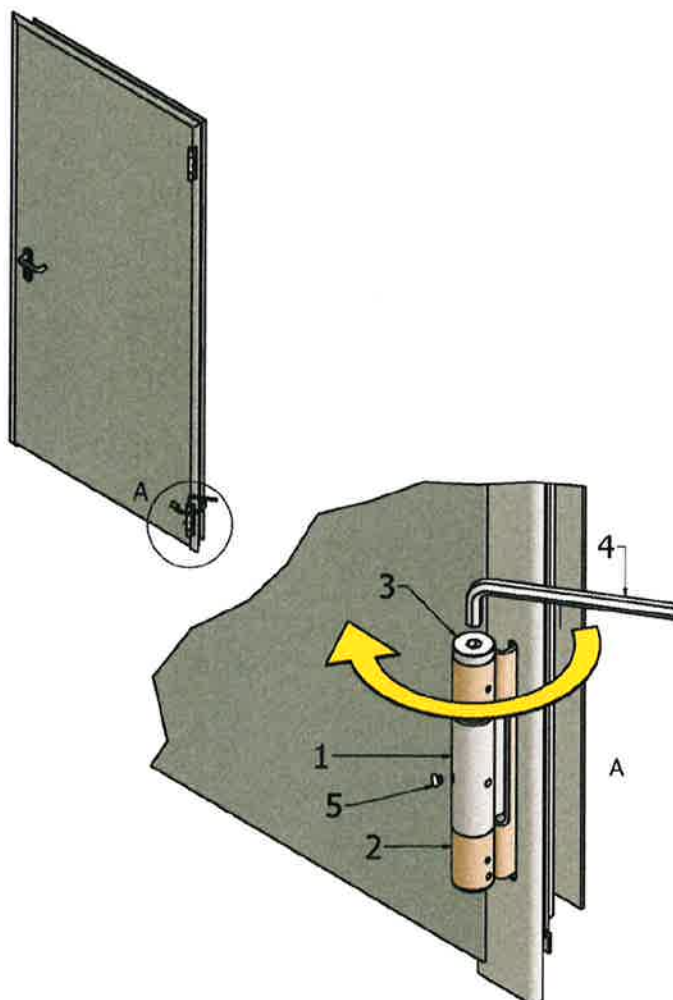
11.38



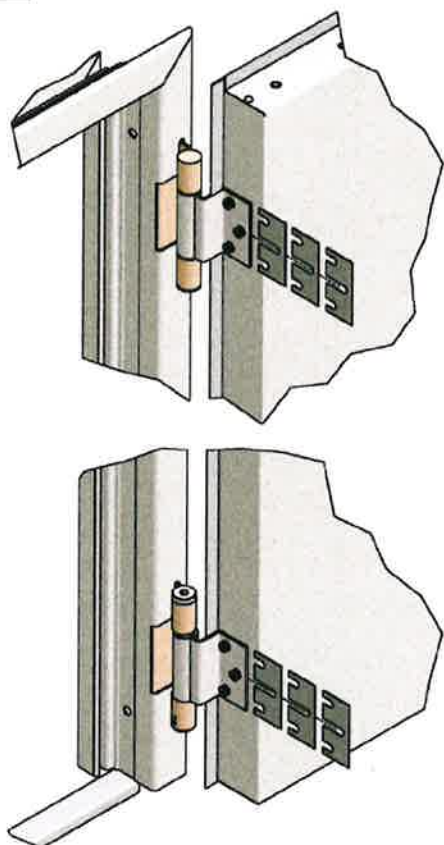
12.1



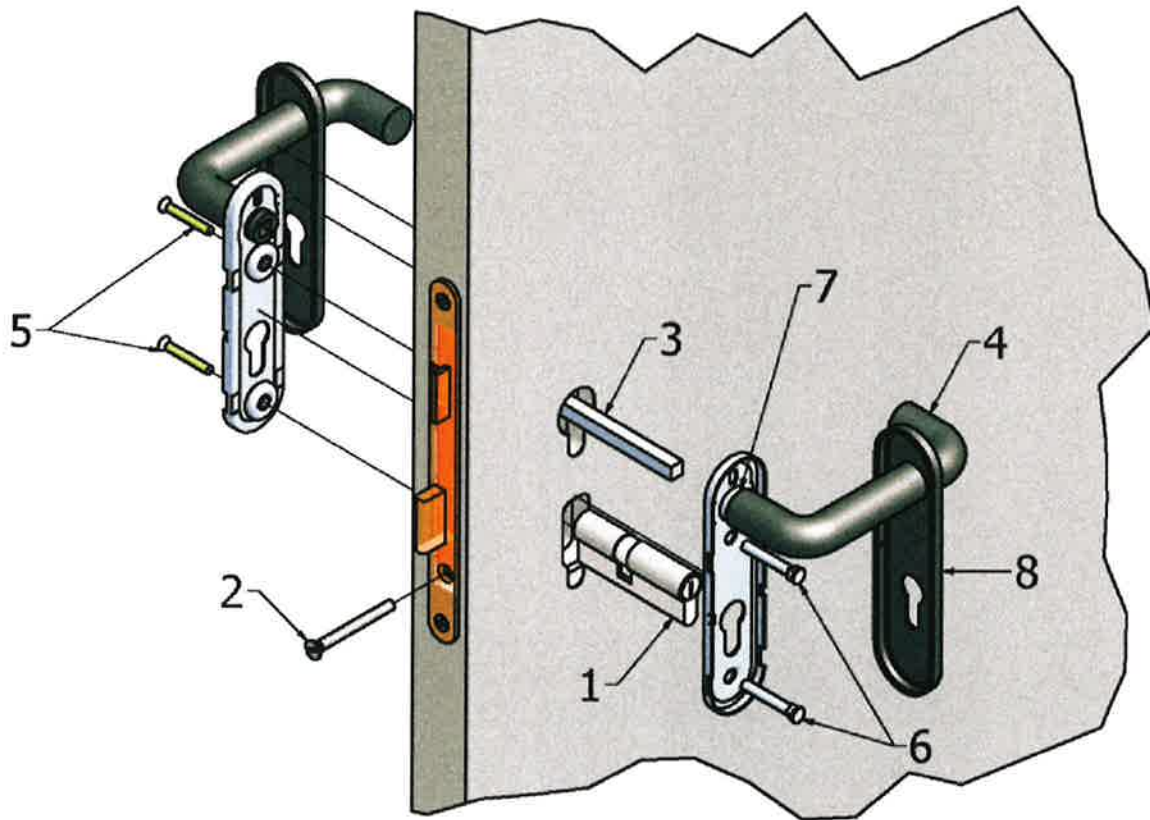
12.2



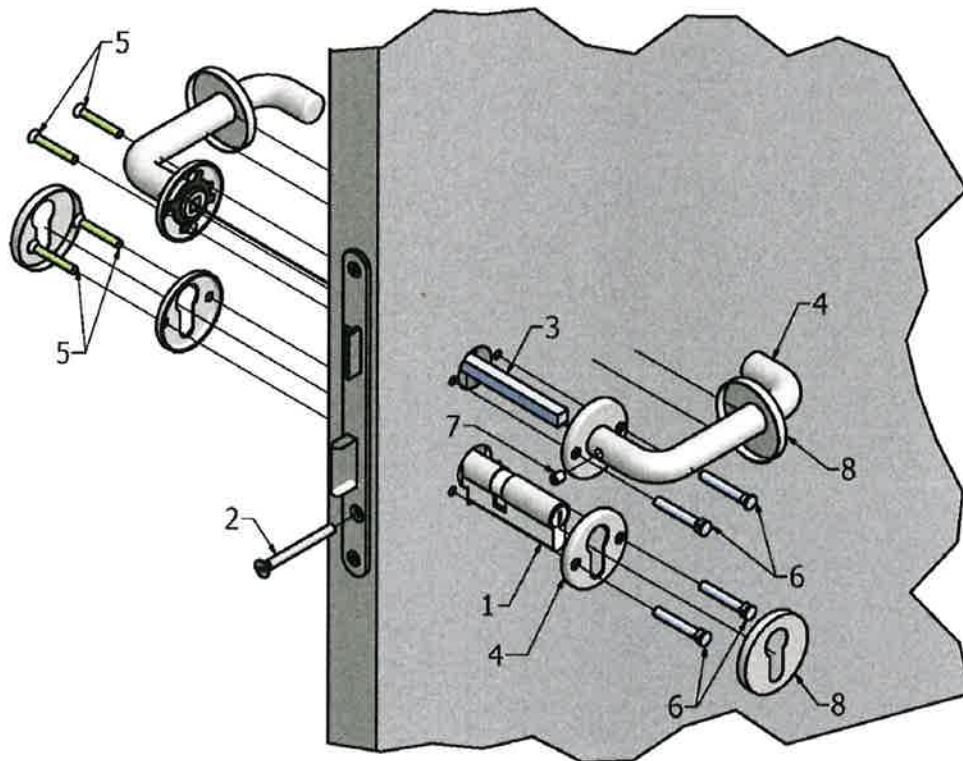
13.1



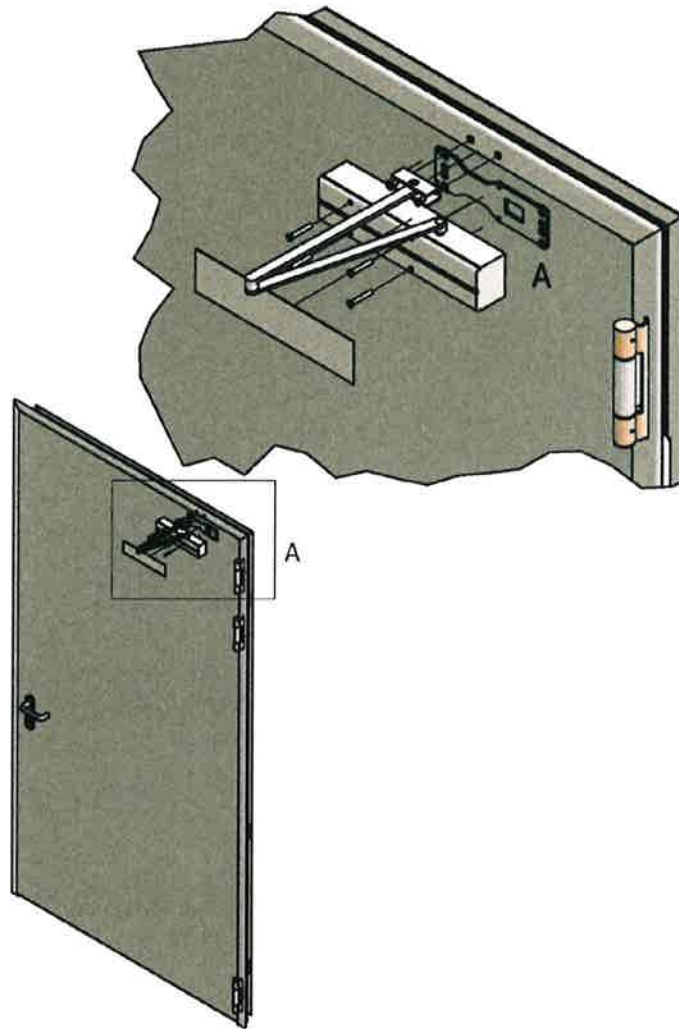
14.1



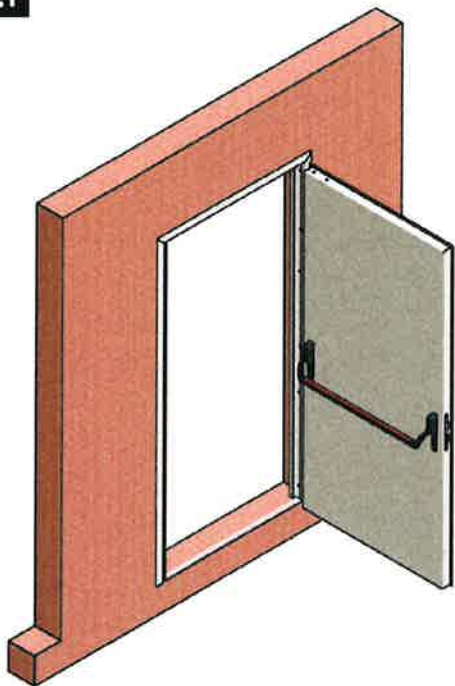
14.2



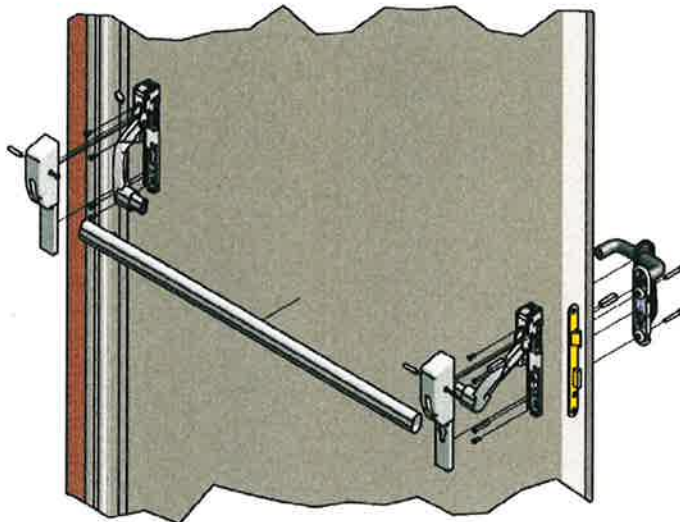
15.1



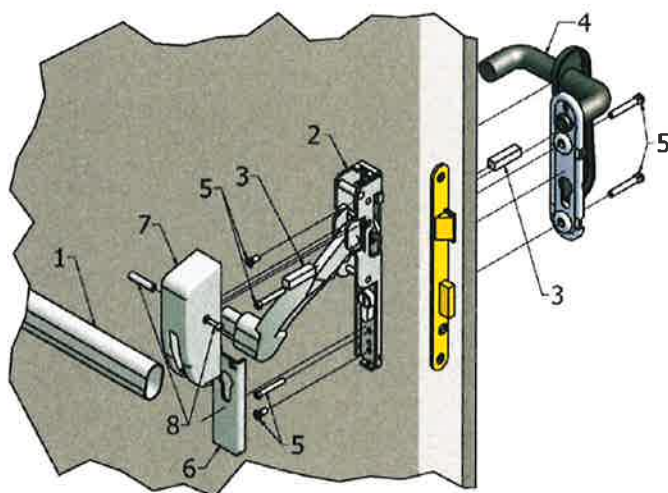
16.1



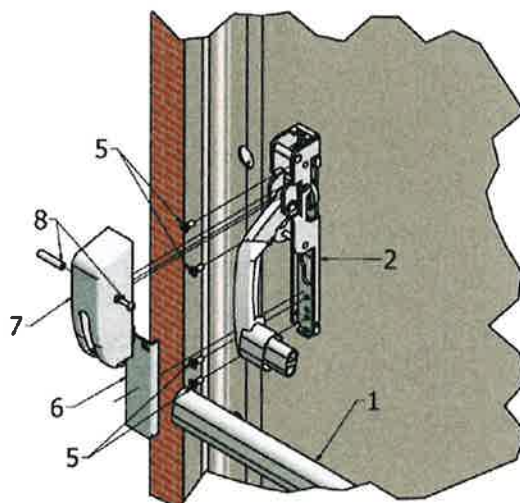
16.2

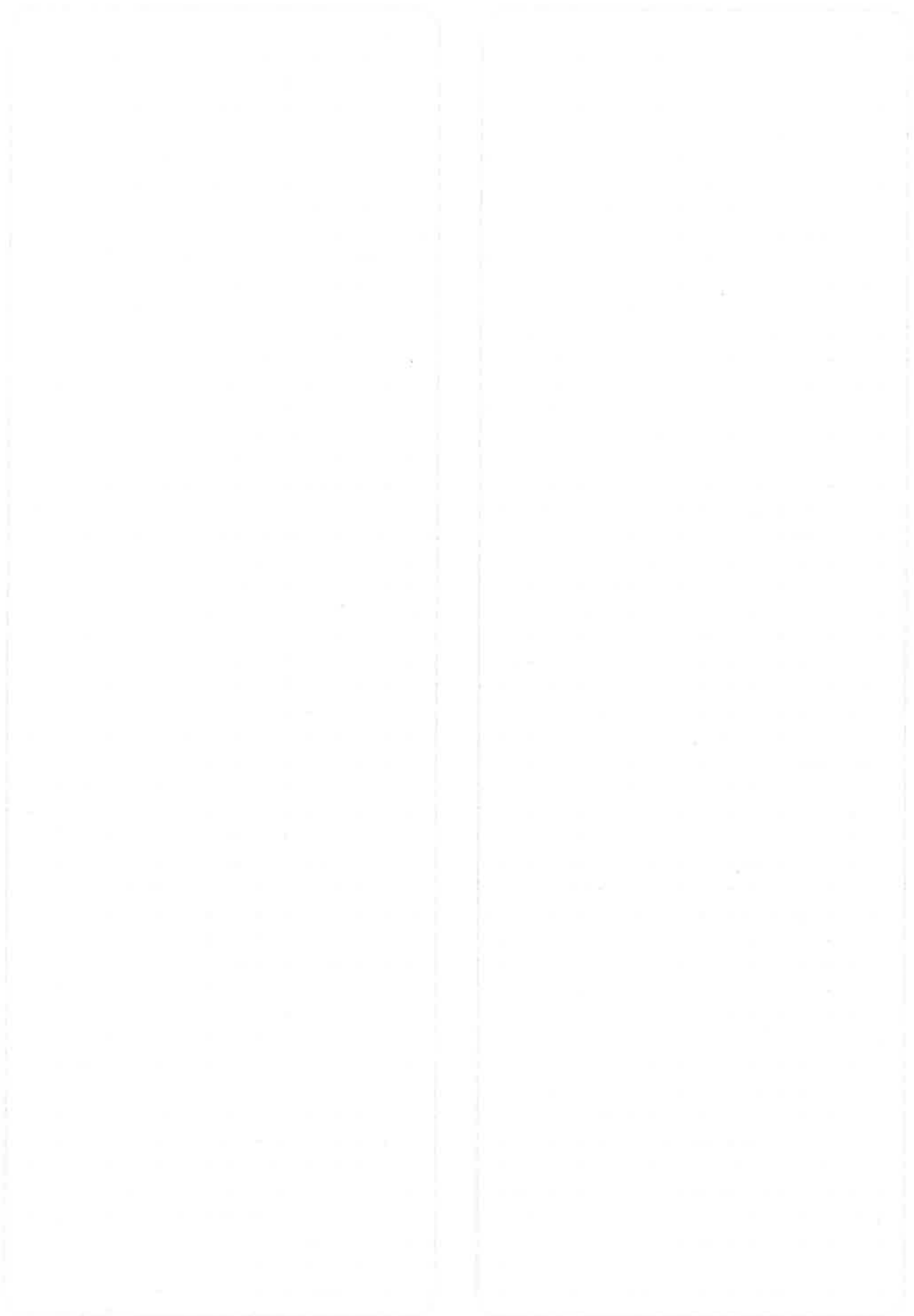


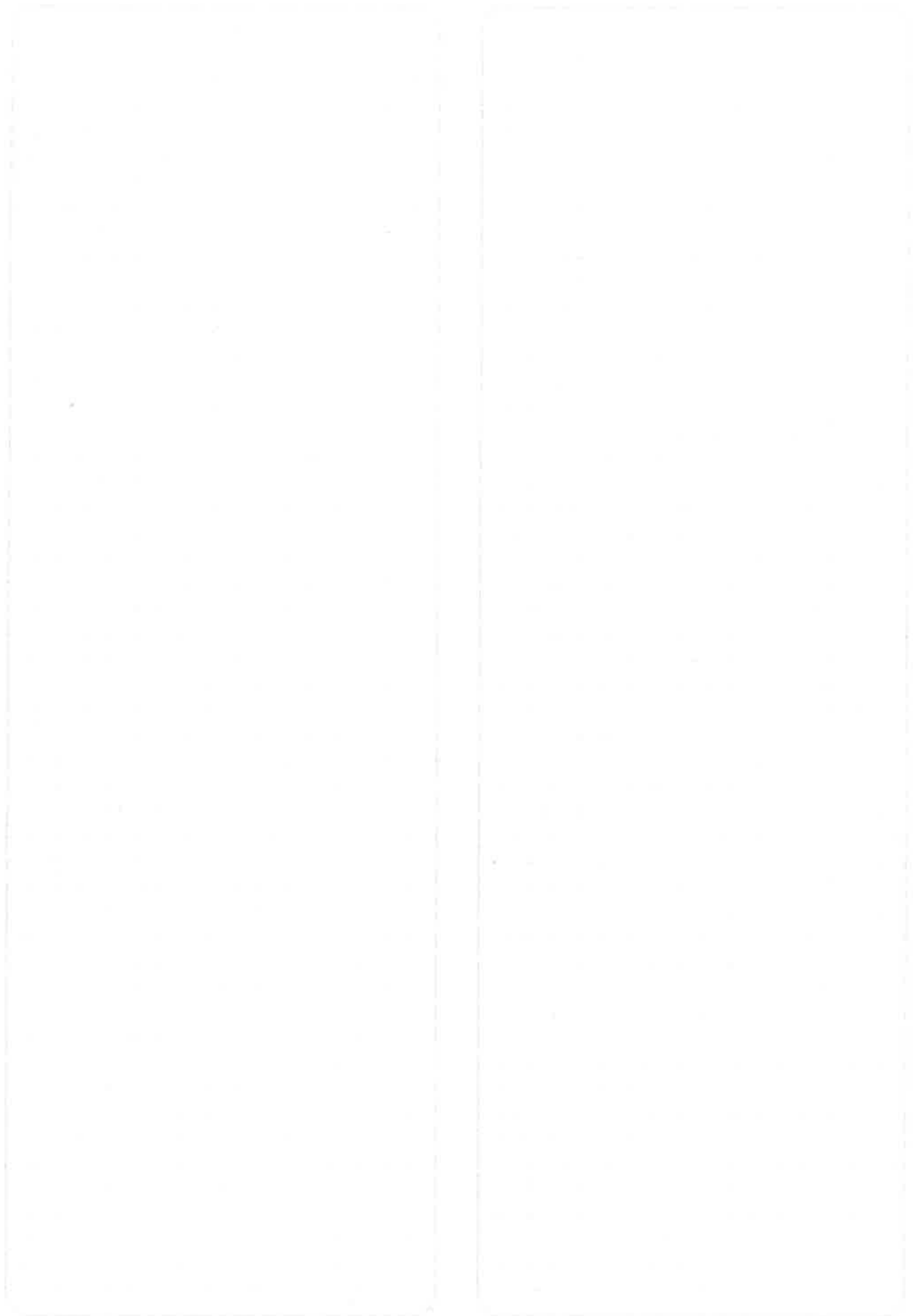
16.3



16.4







Montażysta:

CE



IIiO/DS/Płaszczowe_ECO/11/2018/ID-92997/KTM-653J300929970



WIŚNIOWSKI

WIŚNIOWSKI Sp. z o.o. S.K.A.

PL 33-311 Wielogłowy 153

TEL. +48 18 44 77 111

FAX +48 18 44 77 110

www.wisniowski.pl

N = 49° 40' 10" E = 20° 41' 12"